
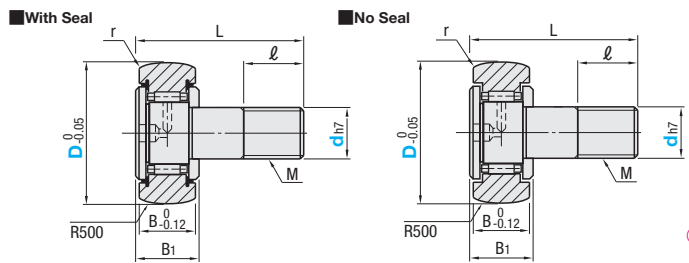
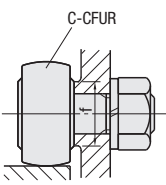


Points of comparison against similar products | Max. Basic Dynamic Load Rating 16.7kN

Similar Product Pages P.1075

■ Crowned

Type		Material	Accessory
With Seal	No Seal		
C-CFUR	C-CFU	SUJ2	1 Hex Nut (S45C Carbon Steel, Black Oxide)


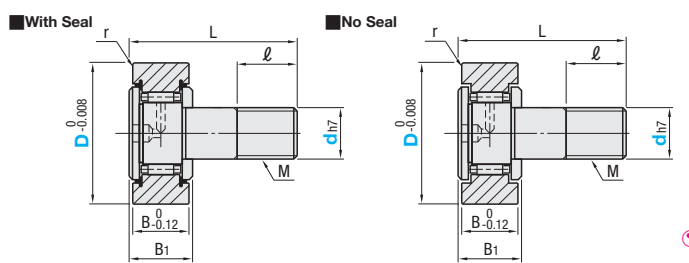
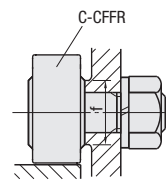




Grease hole is provided on the head only.
Operating Temp.: 80°C or lower

Part Number	Type	dh7 Tolerance	D (Selectable)	MxPitch	B	B1	L	l	r	f	Basic Dynamic Load Rating C (kN)	Basic Static Load Rating C (kN)	Max. Allowable Load (kN)	Track Load Capacity (N)	Max. Rotational Speed (rpm)		Mass (g)	Unit Price									
															With Seal	No Seal		C-CFUR	C-CFU								
5	(With Seal) C-CFUR	0	13	5x0.8	9	10	23	7.5	0.15	9.6	2.51	2.22	1.14	0.42	16240	23200	10.5										
6		-0.012	16	6x1.0	11	12.2	28	8										12.5	3.15	3.3	1.69	0.86	14000	14000	18.5		
8		0	19	8x1.25	11	12.2	32	10										15	3.5	3.9	3.78	1.1	11000	11000	28.5		
10	(With Seal) C-CFUR	0	22	10x1.0	12	13.2	36	12	0.3	17.5	4.5	5.2	4.65	1.34	8000	8000	45										
26		-0.015	26	10x1.0	12	13.2	36	12										1.65									
12	(No Seal) C-CFU	0	30	12x1.5	14	15.2	40	13	0.6	23	6.8	8.4	9.37	1.96	5500	5500	95										
32		0	32	12x1.5	14	15.2	40	13										2.19									
16		-0.018	35	16x1.5	18	19.6	52	17										27.6	9.8	14.1	13.84	2.51	3600	3600	170		
18		0	40	18x1.5	20	21.6	58	19										21.5	10.9	15.5	20.88	2.98	2900	2900	250		
20	0	-0.021	52	20x1.5	24	25.6	66	21	1	36.5	16.7	29	25.68	6.58	2400	2400	460										

■ Flat

Type		Material	Accessory
With Seal	No Seal		
C-CFFR	C-CFR	SUJ2	1 Hex Nut (S45C Carbon Steel, Black Oxide)

Grease hole is provided on the head only.
Operating Temp.: 80°C or lower

Part Number	Type	dh7 Tolerance	D (Selectable)	MxPitch	B	B1	L	l	r	f	Basic Dynamic Load Rating C (kN)	Basic Static Load Rating C (kN)	Max. Allowable Load (kN)	Track Load Capacity (N)	Max. Rotational Speed (rpm)		Mass (g)	Unit Price									
															With Seal	No Seal		C-CFFR	C-CFR								
5	(With Seal) C-CFFR	0	13	5x0.8	9	10	23	7.5	0.15	9.6	2.51	2.22	1.14	0.42	16240	23200	10.5										
6		-0.012	16	6x1.0	11	12.2	28	8										12.5	3.15	3.3	1.69	0.86	14000	14000	18.5		
8		0	19	8x1.25	11	12.2	32	10										15	3.5	3.9	3.78	1.1	11000	11000	28.5		
10	(With Seal) C-CFFR	0	22	10x1.0	12	13.2	36	12	0.3	17.5	4.5	5.2	4.65	1.34	8000	8000	45										
26		-0.015	26	10x1.0	12	13.2	36	12										1.65									
12	(No Seal) C-CFR	0	30	12x1.5	14	15.2	40	13	0.6	23	6.8	8.4	9.37	1.96	5500	5500	95										
32		0	32	12x1.5	14	15.2	40	13										2.19									
16		-0.018	35	16x1.5	18	19.6	52	17										27.6	9.8	14.1	13.84	2.51	3600	3600	170		
18		0	40	18x1.5	20	21.6	58	19										21.5	10.9	15.5	20.88	2.98	2900	2900	250		
20	0	-0.021	52	20x1.5	24	25.6	66	21	1	36.5	16.7	29	25.68	6.58	2400	2400	460										

Ordering Example: Part Number - D
C-CFUR10 - 22