



# Dowel Pins / General Purpose Pins

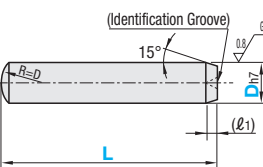
Undersized

### Dowel Pin - Straight (h7)

RoHS10

| Type | Material           | Hardness |
|------|--------------------|----------|
| MSH  | SUS440C Equivalent | 45~50HRC |
| MSHS | SUS304             | -        |



(Identification Groove)



⊕ The identification groove is available for MSH only.  
 ⊕ 0.15 or smaller pins have no identification groove.  
 ⊕ L1 dimension may become larger than the value shown in the catalog due to polishing process.

| L1  | Dh7 | Part Number |   | L   | Unit Price<br>1 ~ 9 pc(s) | Volume Discount Rate |       |         |    |    |    |    |    |    |    |    |
|-----|-----|-------------|---|-----|---------------------------|----------------------|-------|---------|----|----|----|----|----|----|----|----|
|     |     | Type        | D |     |                           | 10~49                | 50~99 | 100~500 |    |    |    |    |    |    |    |    |
| 0.4 | 0   | MSH         | D | 1   | 5                         | 6                    | 8     | 10      |    |    |    |    |    |    |    |    |
|     |     |             |   | 1.5 | 5                         | 6                    | 8     | 10      |    |    |    |    |    |    |    |    |
|     |     |             |   | 2   | 5                         | 6                    | 8     | 10      | 12 | 15 | 20 |    |    |    |    |    |
|     |     |             |   | 2.5 | 6                         | 8                    | 10    | 12      | 15 | 20 | 25 | 30 |    |    |    |    |
| 0.6 | 0   | MSH         | D | 3   | 6                         | 8                    | 10    | 12      | 15 | 20 | 25 | 30 | 35 | 40 |    |    |
|     |     |             |   | 4   | 8                         | 10                   | 12    | 15      | 20 | 25 | 30 | 35 | 40 | 45 | 50 |    |
|     |     |             |   | 5   | 8                         | 10                   | 12    | 15      | 20 | 25 | 30 | 35 | 40 | 45 | 50 |    |
|     |     |             |   | 6   | 8                         | 10                   | 12    | 15      | 20 | 25 | 30 | 35 | 40 | 45 | 50 | 55 |
| 1   | 0   | MSH         | D | 8   | 10                        | 12                   | 15    | 20      | 25 | 30 | 35 | 40 | 45 | 50 | 55 | 60 |
|     |     |             |   | 10  | 15                        | 20                   | 25    | 30      | 35 | 40 | 45 | 50 | 55 | 60 |    |    |
|     |     |             |   | 15  | 20                        | 25                   | 30    | 35      | 40 | 45 | 50 | 55 | 60 |    |    |    |
|     |     |             |   | 20  | 25                        | 30                   | 35    | 40      | 45 | 50 | 55 | 60 |    |    |    |    |
| 1.5 | 0   | MSH         | D | 25  | 30                        | 35                   | 40    | 45      | 50 | 55 | 60 |    |    |    |    |    |
|     |     |             |   | 30  | 35                        | 40                   | 45    | 50      | 55 | 60 |    |    |    |    |    |    |
|     |     |             |   | 35  | 40                        | 45                   | 50    | 55      | 60 |    |    |    |    |    |    |    |
|     |     |             |   | 40  | 45                        | 50                   | 55    | 60      |    |    |    |    |    |    |    |    |
| 2   | 0   | MSH         | D | 45  | 50                        | 55                   | 60    |         |    |    |    |    |    |    |    |    |
|     |     |             |   | 50  | 55                        | 60                   |       |         |    |    |    |    |    |    |    |    |
|     |     |             |   | 55  | 60                        |                      |       |         |    |    |    |    |    |    |    |    |
|     |     |             |   | 60  |                           |                      |       |         |    |    |    |    |    |    |    |    |
| 2.5 | 0   | MSH         | D | 60  |                           |                      |       |         |    |    |    |    |    |    |    |    |
|     |     |             |   |     |                           |                      |       |         |    |    |    |    |    |    |    |    |
|     |     |             |   |     |                           |                      |       |         |    |    |    |    |    |    |    |    |
|     |     |             |   |     |                           |                      |       |         |    |    |    |    |    |    |    |    |

⊕ For orders larger than indicated quantity, please check with WOS.

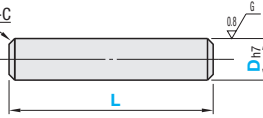
| L1  | Dh7 | Part Number |   | L   | Unit Price<br>1 ~ 9 pc(s) | Volume Discount Rate |       |         |    |    |    |    |
|-----|-----|-------------|---|-----|---------------------------|----------------------|-------|---------|----|----|----|----|
|     |     | Type        | D |     |                           | 10~49                | 50~99 | 100~200 |    |    |    |    |
| 0.4 | 0   | MSHS        | D | 1   | 5                         | 6                    | 8     | 10      |    |    |    |    |
|     |     |             |   | 1.5 | 5                         | 6                    | 8     | 10      |    |    |    |    |
|     |     |             |   | 2   | 5                         | 6                    | 8     | 10      | 12 | 15 | 18 | 20 |
|     |     |             |   | 2.5 | 6                         | 8                    | 10    | 12      | 15 |    |    |    |
| 0.6 | 0   | MSHS        | D | 3   | 6                         | 8                    | 10    | 12      | 15 | 18 | 20 |    |
|     |     |             |   | 4   | 8                         | 10                   | 12    | 15      | 18 | 20 |    |    |
|     |     |             |   | 5   | 8                         | 10                   | 12    | 15      | 18 | 20 |    |    |
|     |     |             |   | 6   | 10                        | 12                   | 15    | 18      | 20 |    |    |    |
| 1   | 0   | MSHS        | D | 8   | 15                        | 18                   | 20    |         |    |    |    |    |
|     |     |             |   |     |                           |                      |       |         |    |    |    |    |
|     |     |             |   |     |                           |                      |       |         |    |    |    |    |
|     |     |             |   |     |                           |                      |       |         |    |    |    |    |
| 1.5 | 0   | MSHS        | D | 15  | 18                        | 20                   |       |         |    |    |    |    |
|     |     |             |   |     |                           |                      |       |         |    |    |    |    |
|     |     |             |   |     |                           |                      |       |         |    |    |    |    |
|     |     |             |   |     |                           |                      |       |         |    |    |    |    |
| 2   | 0   | MSHS        | D | 20  |                           |                      |       |         |    |    |    |    |
|     |     |             |   |     |                           |                      |       |         |    |    |    |    |
|     |     |             |   |     |                           |                      |       |         |    |    |    |    |
|     |     |             |   |     |                           |                      |       |         |    |    |    |    |

### Dowel Pins - Chamfered

RoHS10

| Type  | Material | Hardness |
|-------|----------|----------|
| MSHHM | SUS440C  | 58HRC~   |
| MSHSM | SUS304   | -        |



(Identification Mark)

MSHHM    MSHSM


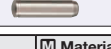
| C           | Dh7 | Part Number |   | L | Unit Price<br>1 ~ 19 pc(s) | Volume Discount Rate |       |        |    |    |  |
|-------------|-----|-------------|---|---|----------------------------|----------------------|-------|--------|----|----|--|
|             |     | Type        | D |   |                            | 20~29                | 30~49 | 50~100 |    |    |  |
| 0.3 or Less | 0   | MSHHM       | D | 2 | 6                          | 8                    | 10    | 12     | 15 |    |  |
|             |     |             |   | 3 | 6                          | 8                    | 10    | 12     | 15 | 20 |  |
|             |     |             |   | 4 | 8                          | 10                   | 12    | 15     | 20 |    |  |
|             |     |             |   | 5 | 8                          | 10                   | 12    | 15     | 20 |    |  |
| 0.5         | 0   | MSHHM       | D | 6 | 10                         | 12                   | 15    | 20     |    |    |  |
|             |     |             |   | 8 | 15                         | 20                   |       |        |    |    |  |
|             |     |             |   |   |                            |                      |       |        |    |    |  |
|             |     |             |   |   |                            |                      |       |        |    |    |  |

⊕ For orders larger than indicated quantity, please check with WOS.

| C           | Dh7 | Part Number |   | L | Unit Price<br>1 ~ 19 pc(s) | Volume Discount Rate |       |        |    |    |  |
|-------------|-----|-------------|---|---|----------------------------|----------------------|-------|--------|----|----|--|
|             |     | Type        | D |   |                            | 20~29                | 30~49 | 50~100 |    |    |  |
| 0.3 or Less | 0   | MSHSM       | D | 2 | 6                          | 8                    | 10    | 12     | 15 |    |  |
|             |     |             |   | 3 | 6                          | 8                    | 10    | 12     | 15 | 20 |  |
|             |     |             |   | 4 | 8                          | 10                   | 12    | 15     | 20 |    |  |
|             |     |             |   | 5 | 8                          | 10                   | 12    | 15     | 20 |    |  |
| 0.5         | 0   | MSHSM       | D | 6 | 10                         | 12                   | 15    | 20     |    |    |  |
|             |     |             |   | 8 | 15                         | 20                   |       |        |    |    |  |
|             |     |             |   |   |                            |                      |       |        |    |    |  |
|             |     |             |   |   |                            |                      |       |        |    |    |  |

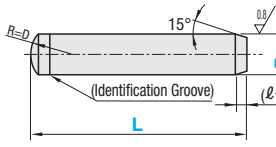
⊕ For orders larger than indicated quantity, please check with WOS.

### General Purpose Pin - Straight (g6)

RoHS10

| Type  | Material | Hardness |
|-------|----------|----------|
| MSGB  | SUJ2     | 58HRC~   |
| MSGS  | SUS440C  | 58HRC~   |
| MSGSS | SUS304   | -        |



(Identification Groove)

(Identification Mark)

MSGS    MSGB-MSGSS


⊕ L1 dimension may become larger than the value shown in the catalog due to polishing process.

| L1  | Dg6              | Part Number           |   | L |    |    |    |    |    |    |
|-----|------------------|-----------------------|---|---|----|----|----|----|----|----|
|     |                  | Type                  | D | 2 | 6  | 8  | 10 | 12 | 15 |    |
| 1.0 | -0.002<br>-0.008 | MSGB<br>MSGS<br>MSGSS | D | 2 | 6  | 8  | 10 | 12 | 15 |    |
|     |                  |                       |   | 3 | 6  | 8  | 10 | 12 | 15 | 20 |
|     |                  |                       |   | 4 | 8  | 10 | 12 | 15 | 20 |    |
| 1.5 | -0.004<br>-0.012 | MSGB<br>MSGS<br>MSGSS | D | 5 | 8  | 10 | 12 | 15 | 20 |    |
|     |                  |                       |   | 6 | 10 | 12 | 15 | 20 |    |    |
| 2.0 | -0.005<br>-0.014 | MSGB<br>MSGS<br>MSGSS | D | 8 | 15 | 20 |    |    |    |    |

| D | MSGB                       |                               |       |        | MSGS                       |                               |       |        | MSGSS                      |                               |       |        |
|---|----------------------------|-------------------------------|-------|--------|----------------------------|-------------------------------|-------|--------|----------------------------|-------------------------------|-------|--------|
|   | Unit Price<br>1 ~ 19 pc(s) | Volume Discount Rate<br>20~29 | 30~49 | 50~100 | Unit Price<br>1 ~ 19 pc(s) | Volume Discount Rate<br>20~29 | 30~49 | 50~100 | Unit Price<br>1 ~ 19 pc(s) | Volume Discount Rate<br>20~29 | 30~49 | 50~100 |
| 2 |                            |                               |       |        |                            |                               |       |        |                            |                               |       |        |
| 3 |                            |                               |       |        |                            |                               |       |        |                            |                               |       |        |
| 4 |                            |                               |       |        |                            |                               |       |        |                            |                               |       |        |
| 5 |                            |                               |       |        |                            |                               |       |        |                            |                               |       |        |
| 6 |                            |                               |       |        |                            |                               |       |        |                            |                               |       |        |
| 8 |                            |                               |       |        |                            |                               |       |        |                            |                               |       |        |

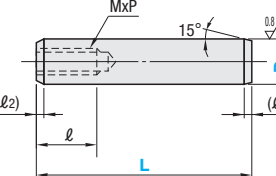
⊕ For orders larger than indicated quantity, please check with WOS.

### Dowel Pin One End Tapped (h7)



RoHS10

| Type | Material | Hardness |
|------|----------|----------|
| MSHT | SUS440C  | 40~50HRC |



(Identification Groove)


(Identification Mark)

⊕ When D=5 or 6 and L=10, the pilot hole for tapping may go through.  
 ⊕ L=6 only when D=6 and L=10  
 ⊕ L1, L2 dimension may become larger than the value shown in the catalog due to polishing process.

| L1  | L2  | MxP     | L  | Dh7 | Part Number |   | L  | Unit Price<br>1 ~ 499 pc(s) | Volume Discount Rate<br>500~999 | 1000~1999 | 2000~4000 |    |    |    |    |
|-----|-----|---------|----|-----|-------------|---|----|-----------------------------|---------------------------------|-----------|-----------|----|----|----|----|
|     |     |         |    |     | Type        | D |    |                             |                                 |           |           |    |    |    |    |
| 1.5 | 0.3 | 3 x 0.5 | 6  | 0   | MSHT        | D | 5  | 10                          | 15                              | 20        | 25        | 30 |    |    |    |
|     |     |         |    |     |             |   | 6  | 10                          | 15                              | 20        | 25        | 30 | 35 | 40 | 45 |
| 2.0 | 0.5 | 4 x 0.7 | *8 | 0   | MSHT        | D | 8  | 15                          | 20                              | 25        | 30        | 35 | 40 | 45 | 50 |
|     |     |         |    |     |             |   | 10 | 15                          | 20                              | 25        | 30        | 35 | 40 | 45 | 50 |
| 2.5 | 1.0 | 6 x 1.0 | 10 | 0   | MSHT        | D | 12 | 30                          | 35                              | 40        | 45        | 50 |    |    |    |

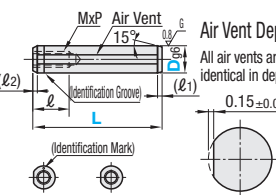
⊕ For orders larger than indicated quantity, please check with WOS.

### General Purpose Pins - One End Tapped (g6)



RoHS10

| Type  | Material | Hardness |
|-------|----------|----------|
| MSTG  | SUJ2     | 45~50HRC |
| MSTSG | SUS440C  | 45~50HRC |



(Identification Groove)

(Identification Mark)

⊕ L1, L2 dimension may become larger than the value shown in the catalog due to polishing process.

| L1  | L2  | MxP   | L  | Dg6              | Part Number |   | L  | Unit Price<br>1 ~ 19 pc(s) | Volume Discount Rate<br>20~29 | 30~49 | 50~100 |    |    |
|-----|-----|-------|----|------------------|-------------|---|----|----------------------------|-------------------------------|-------|--------|----|----|
|     |     |       |    |                  | Type        | D |    |                            |                               |       |        |    |    |
| 1.5 | 0.3 | 3x0.5 | 6  | -0.004<br>-0.012 | MSTG        | D | 5  | 10                         | 15                            | 20    |        |    |    |
|     |     |       |    |                  |             |   | 6  | 10                         | 15                            | 20    | 25     | 30 |    |
| 2.0 | 0.3 | 4x0.7 | 8  | -0.005<br>-0.014 | MSTG        | D | 8  | 15                         | 20                            | 25    | 30     | 35 | 40 |
|     |     |       |    |                  |             |   | 10 | 20                         | 25                            | 30    | 35     | 40 |    |
| 2.5 | 0.5 | 6x1.0 | 10 | -0.006<br>-0.017 | MSTG        | D | 12 | 30                         | 35                            | 40    | 45     |    |    |

⊕ For orders larger than indicated quantity, please check with WOS.

| L1  | L2  | MxP   | L  | Dg6              | Part Number |   | L  | Unit Price<br>1 ~ 19 pc(s) | Volume Discount Rate<br>20~29 | 30~49 | 50~100 |    |
|-----|-----|-------|----|------------------|-------------|---|----|----------------------------|-------------------------------|-------|--------|----|
|     |     |       |    |                  | Type        | D |    |                            |                               |       |        |    |
| 1.5 | 0.3 | 3x0.5 | 6  | -0.004<br>-0.012 | MSTSG       | D | 5  | 10                         | 15                            | 20    |        |    |
|     |     |       |    |                  |             |   | 6  | 10                         | 15                            | 20    | 25     | 30 |
| 2.0 | 0.3 | 4x0.7 | 8  | -0.005<br>-0.014 | MSTSG       | D | 8  | 15                         | 20                            | 25    | 30     | 40 |
|     |     |       |    |                  |             |   | 10 | 20                         | 25                            | 30    | 40     |    |
| 2.5 | 0.5 | 6x1.0 | 10 | -0.005<br>-0.014 | MSTSG       | D | 10 | 20                         | 25                            | 30    | 40     |    |

⊕ For orders larger than indicated quantity, please check with WOS.

Ordering Example  
 Part Number - L  
 MSH2 - 6  
 MSG3 - 12