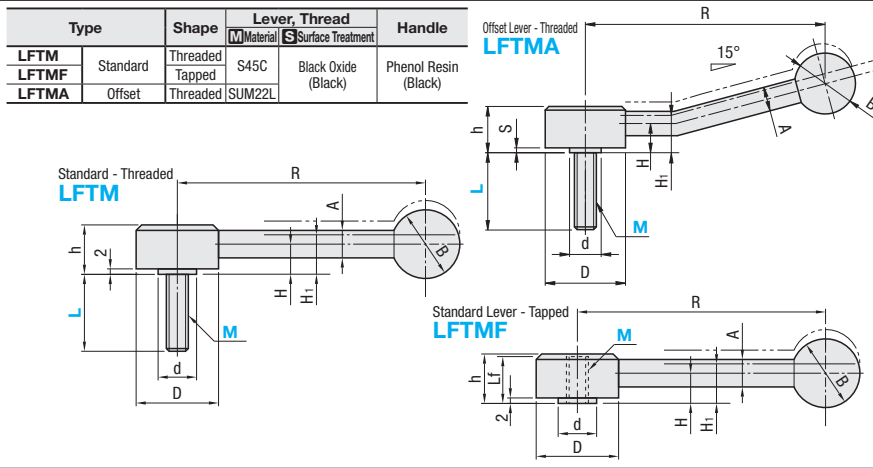
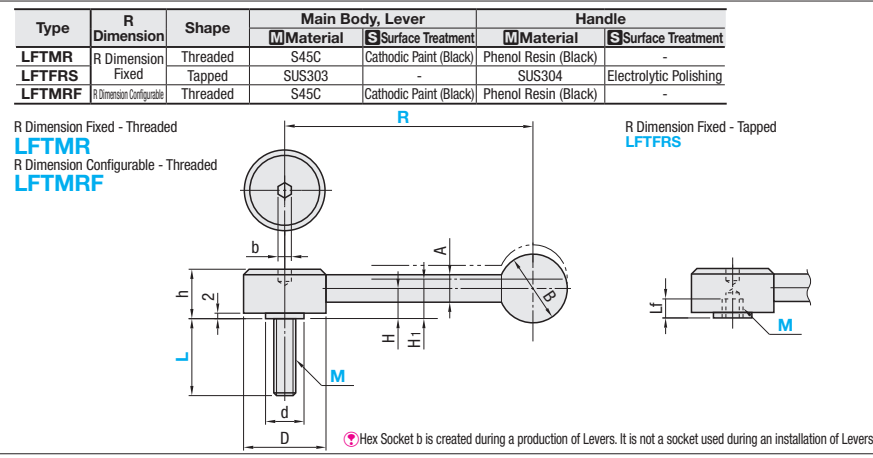


Flat Tension Levers / Flat Tension Levers with Hex Socket

Tension Levers / Disengaging Tension Levers / Stationary Levers

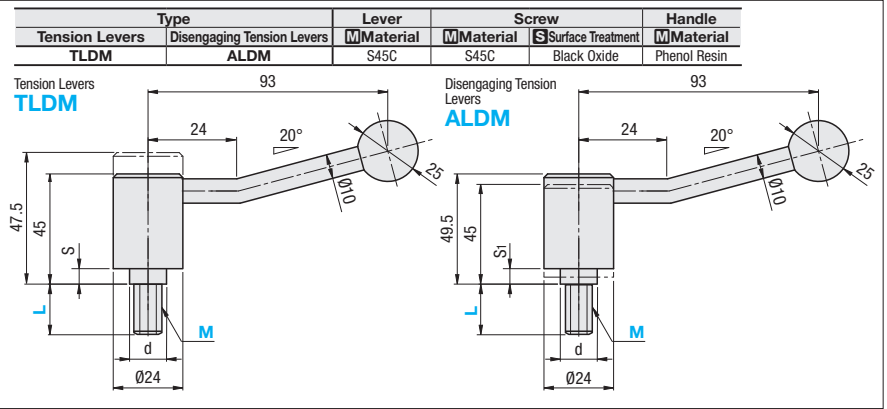
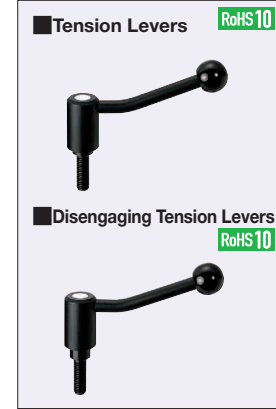
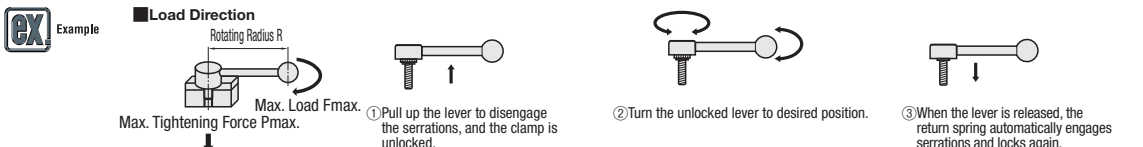


Part Number Type	M	L Selection (Threaded Type only)					Lf	R	H	H1	h	A	B	D	d	Number of Serrated Teeth	Fmax. Max. Load (N)	Pmax. Max. Tightening Force (kN)	Reference Mass (g)		Unit Price	
		LFTM	LFTMF	LFTM	LFTMF	LFTM													LFTMF			
Threaded LFTM Tapped LFTMF	8	30	40	50		18	100	12	16	19	10	25	33	13	22	120	10	185	160			
	10	30	40	50	60	21	130	13.5	17.5	22	12	30	41	19	26	180	16	340	300			
	12	30	40	50	60	27	150	17	22	28	14	35	45	23	36	300	23	350	300			
	16	40	50	60		27	150	17	22	28	14	35	45	23	36	660	43	580	450			
Offset LFTMA	8	32	40	50		100	12.5	16.5	20.5	1.5	8	20	32	13.5	22	120	10	155				
	10	32	40	50	63	120	15	19	24.5		10	25	36	16	26	180	16	250				
	12	40	50	63		130	16	20.5	26.5	2	12	30	40	19	26	300	23	350				
	16	40	50	63		145	20	25	31.5		12	32	45	23	36	660	43	520				



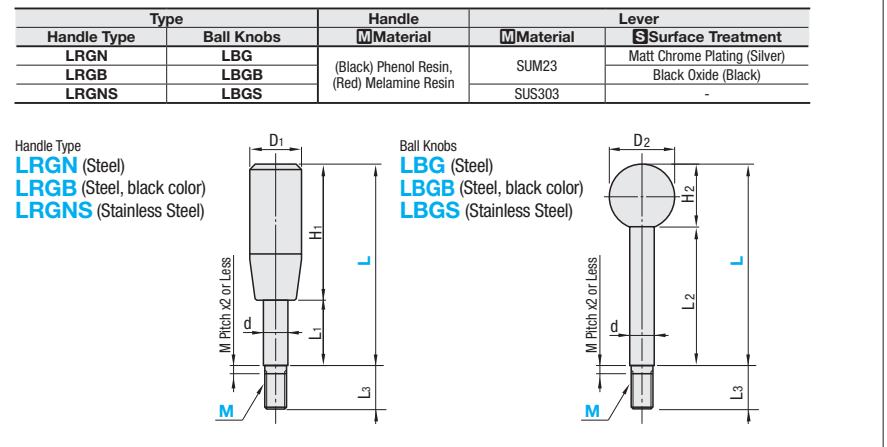
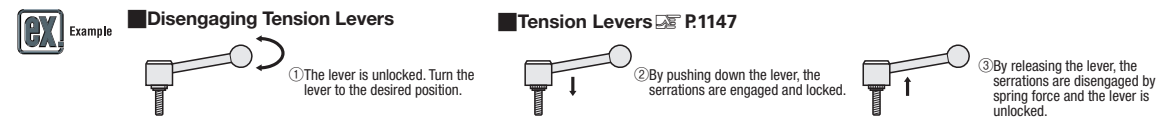
Part Number Type	M	L Selection (Threaded Type only)					R (Stationary)	R (10mm Increment LFTMRF only)	Lf	H	H1	h	A	B	b	D	d	Number of Serrated Teeth	Fmax. Max. Load (N)	Pmax. Max. Tightening Force (kN)	Reference Mass (g)		Unit Price		
		LFTMR	LFTMRF	LFTFRS	Steel	Stainless Steel															LFTMR	LFTMRF	LFTFRS		
Threaded LFTMR Tapped LFTFRS	8	30	40	50		100	80-120	8	12	16	19	10	25	3	33	13	22	120	10	185	250				
	10	30	40	50	60	130	100-150	11	13.5	17.5	22	12	30	5	41	19	26	180	16	340	400				
	12	30	40	50	60	150	120-180	14	17	22	28	14	35	5	45	23	36	300	23	350	400				
	16	40	50	60		150	120-180	14	17	22	28	14	35	5	45	23	36	660	43	580	680				

Ordering Example: Part Number - L - R
 LFTM 8 - 30
 LFTMF 8 - 30 - 110
 LFTMRF 8 - 30 - 110



Part Number Type	M	L Selection					S	S1	d	Number of Serrated Teeth	FMax. Max. Load (N)	Pmax. Max. Tightening Force (kN)	Reference Mass (g)	Unit Price	
		TLDM	ALDM	TLDM	ALDM										
TLDM ALDM	10	30	40	50		4	9	16	22	300	12	210			
	12	30	40	50	60	3	3	22	22	420	18	215			
	16	40	50	60		3	3	22	22	670	33	220			

Ordering Example: Part Number - L
 TLDM10 - 30



Part Number Type	M (Coarse)	L	Handle Color	L3	d	LRGN, LRGB, LRGNS			LBG, LBGB, LBGS			Reference Mass (g)	Unit Price		
						D1	H1	L1	D2	H2	L2		LRGN	LRGB	LRGNS
Handle Type LRGN LRGB LRGNS	6	63	R (Red)	12	8	17	40	23	20	18	45	25			
												32			
												40			
	8	100	B (Black)	20	10	21	50	30	25	23	77	65			
												81			
												102			
Ball Knobs LBG LBGB LBGS	10	125	B (Black)	25	12	25	65	35	30	28	97	119			
												149			
												163			
	12	160	B (Black)	30	14	28	86	74	35	32	128	205			
												168			
												253			

The handle color for LRGB and LBGB is black only.

Ordering Example: Part Number - L - Handle Color
 LBGS6 - 63 - R
 LRGB8 - 100 - B