

# Small Ball Bearings

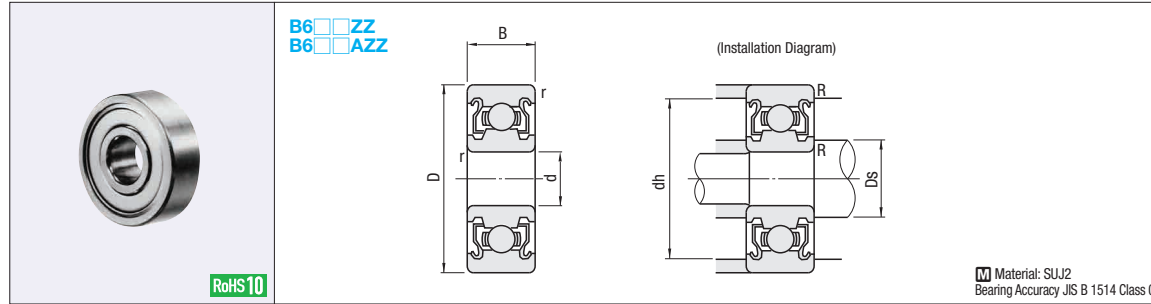
## Double Shielded

Note that, for some of the types shown here, order might be unable to be received by the MISUMI Indonesia offices.

# MISUMI C-VALUE [Medium Accuracy] Small Ball Bearings

## Double Shielded

This product can be used even when heavy load, high rotation speed, and high rotational accuracy are required. See P.990 for the C-VALUE Product of this item.



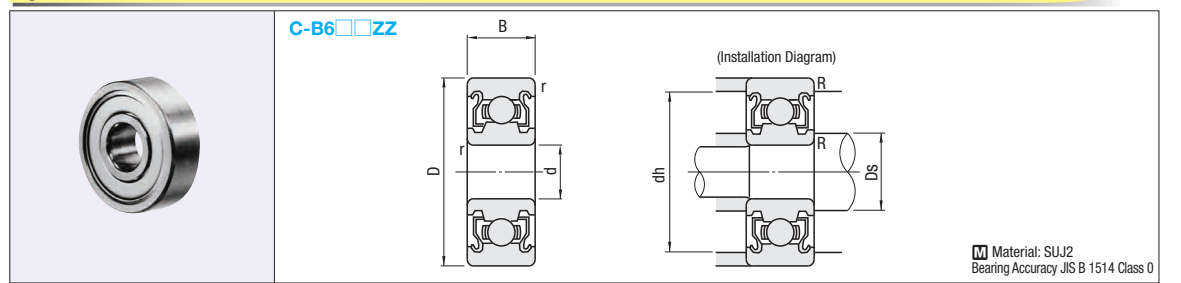
Part Number	d	D	B	r (min)	Basic Load Rating		Allowable Rotational Speed rpm (Reference)	Relative Dimensions			Mass (g) (Reference)	Unit Price
					Cr (Dynamic) N	Cor (Static) N		Ds (min)	dh (max)	R (max)		
B682ZZ	2	5	2.3	0.08	169	50	85000	2.7	3.9	0.08	0.17	
B692ZZ		6	3.0	0.15	330	98	75000	3.0	4.8	0.15	0.38	
B602ZZ	7	3.5	385		127	60000	3.2	5.8	0.58			
B682AZZ	2.5	6	2.6	0.08	208	74	71000	3.7	4.9	0.08	0.29	
B692AZZ		7	3.5	0.15	385	127	63000	3.85	5.65	0.15	0.55	
B673ZZ	3	6	2.5	0.1	208	74	71000	3.6	5.4	0.08	0.2	
B683ZZ		7	3		390	130	63000	3.9	5.8	0.1	0.45	
B693ZZ	3	8	4	0.15	560	179	60000	4.2	6.8	0.15	0.83	
B603ZZ		9	5		570	187	56000		7.8		1.45	
B623ZZ	3	10	4	0.2	630	218	50000	4.6	8.8	0.2	1.66	
B633ZZ		13	5		1300	485	40000		11.4		3.33	
B674ZZ	4	7	2.5	0.1	222	88	60000	5.0	6.4	0.08	0.29	
B684ZZ		9	3		640	224	53000		7.8		1.01	
B694ZZ	4	11	4	0.15	715	276	48000	5.2	9.8	0.15	1.75	
B604ZZ		12	4		957	350			48000		10.4	2.29
B624ZZ	4	13	5	0.2	1300	485	40000	5.6	11.4	0.2	3.04	
B634ZZ		16	5		1340	523	36000		14		5.21	
B675ZZ	5	8	2.5	0.1	218	131	53000	6.2	7.4	0.1	0.34	
B685ZZ		11	5		715	281	45000		9.8		1.96	
B695ZZ	5	13	4	0.2	1080	430	43000	6.6	11.4	0.2	2.5	
B605ZZ		14	5		1330	505	40000		12.4		3.48	
B625ZZ	5	16	5	0.3	1730	670	36000	7	14	0.3	4.86	
B635ZZ		19	6		2336	835	32000		17		8.34	
B676ZZ	6	10	3	0.1	495	218	45000	7.04	9.3	0.1	0.68	
B686ZZ		13	5		1080	440	40000		11.8		2.69	
B696ZZ	6	15	4	0.2	1350	530	40000	7.6	13.4	0.2	3.72	
B606ZZ		17	6		2190	835			38000		15	6.08
B626ZZ	6	19	5	0.3	2340	885	32000	8	17	0.3	7.94	
B636ZZ		22	7		3333	1423	30000		20		14.5	
B678ZZ	8	12	3.5	0.1	543	274	40000	9.05	11.33	0.1	0.97	
B688ZZ		16	5		1610	710	36000		14.4		4.02	
B698ZZ	8	19	6	0.3	1990	865	34000	10	17	0.3	7.18	
B608ZZ		22	7		3350	1400			20		12	
B628ZZ	8	24	8	0.3	4000	1590	28000	10	22	0.3	17	
B638ZZ		28	9		4563	1983			26		30.3	

kgf=Nx0.101972



Similar Products Page P.989

Similar Products Comparison Points | Products designed for light load, intermediate and low rotation speed, and medium rotational accuracy applications. See P.987 for the description of C-VALUE Products.



Part Number	d	D	B	r (min)	C-VALUE Products Check Point ① Basic Load Rating		Allowable Rotational Speed rpm (Reference)	Relative Dimensions			Mass (g) (Reference)	Unit Price
					Cr (Dynamic) N	Cor (Static) N		Ds (min)	dh (max)	R (max)		
C-B682ZZ	2	5	2.3	0.08	146	52	85000	2.7	3.9	0.08	0.17	
C-B692ZZ		6	3	0.15	270	90	75000	3	4.8	0.15	0.38	
C-B673ZZ	3	6	2.5	0.1	146	52	71000	3.6	5.4	0.08	0.2	
C-B683ZZ		7	3		273	91	63000		3.9		5.8	0.1
C-B693ZZ	3	8	4	0.15	392	125	60000	4.2	6.8	0.15	0.83	
C-B603ZZ		9	5		400	132	56000		7.8		1.45	
C-B623ZZ	3	10	4	0.15	441	153	50000	4.6	8.8	0.15	1.66	
C-B674ZZ		7	2.5		155	62	60000		6.4		0.29	
C-B684ZZ	4	9	3	0.1	448	157	53000	5.2	7.8	0.1	1.01	
C-B694ZZ		11	4		501	193	48000		9.8		1.75	
C-B604ZZ	4	12	4	0.2	670	245	40000	5.6	10.4	0.2	2.29	
C-B624ZZ		13	5		910	340			40000		11.4	3.04
C-B634ZZ	4	16	5	0.3	938	366	36000	6	14	0.3	5.21	
C-B675ZZ		8	2.5		153	92	53000		7.4		0.34	
C-B685ZZ	5	11	5	0.15	501	197	45000	6.2	9.8	0.2	1.96	
C-B695ZZ		13	4		756	301	43000		11.4		2.5	
C-B605ZZ	5	14	5	0.2	931	354	40000	6.6	12.4	0.3	3.48	
C-B625ZZ		16	6		1211	469	36000		14		4.86	
C-B635ZZ	5	19	6	0.3	1635	627	32000	7	17	0.3	8.34	
C-B676ZZ		10	3		347	153	45000		7.04		0.68	
C-B686ZZ	6	13	5	0.15	756	308	40000	7	11.8	0.2	2.69	
C-B696ZZ		15	4		945	371			40000		13.4	3.72
C-B606ZZ	6	17	6	0.3	1533	585	38000	8	15	0.3	6.08	
C-B626ZZ		19	7		1638	620	32000		17		7.94	
C-B678ZZ	8	12	3.5	0.1	380	192	40000	9.05	11.33	0.1	0.97	
C-B688ZZ		16	5		1127	497	36000		14.4		4.02	
C-B698ZZ	8	19	6	0.3	1393	606	34000	10	17	0.3	7.18	
C-B608ZZ		22	7		2345	980			20		12	
C-B628ZZ	8	24	8	0.3	2800	1113	28000	10	22	0.3	17	
C-B638ZZ		28	9		3194	1388			26		30.3	

kgf=Nx0.101972

C-VALUE Products Check Point ②

I.D. d (mm)	Clearance of MISUMI Similar Products (μm)	Clearance of C-VALUE Products (μm)	
		Min.	Max.
over or less			
Less than 10		5	10
		7	15

### Precautions for Use of C-VALUE Products

- This product is C-VALUE Product. For detailed description of C-VALUE Products, see P.987. For similar products of this product, see the left page.
- This is a product designed exclusively for light load, intermediate and low rotation speeds, and medium rotational accuracy applications.
- Be sure to read the C-VALUE Products Check Point ① and ② before using this product.
- The internal clearance and the load rating of this product are different from that of normal similar products.
- Do not use in areas with heavy load, high speed, or that requires high rotational accuracy.

