

# Support Units - Fixed Side, Square <Convenient>

Type with Damper / Type with Dowel Holes

Support Units with Damper integrate the Stopper for Ball Screws and the Support Unit and are suitable for use in limited spaces.

## Fixed Side Standard with Damper

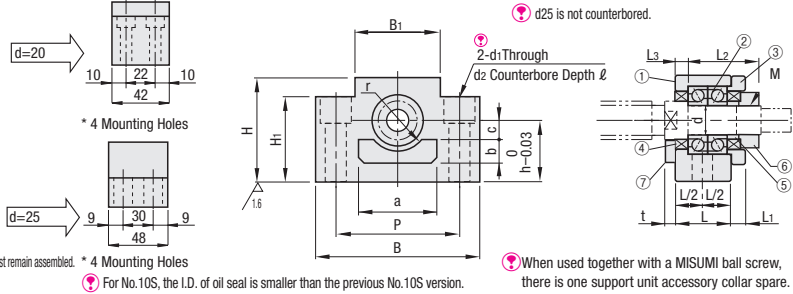
(Industry Standard, for High Speed Applications)

Type	Material	Surface Treatment
BSWD	S45C	1③⑤⑥ Black Oxide

## Component Details

Number	Part Name	Quantity
①	Bearing Housing	1
②	Japanese standard angular contact bearing Grade 5	1 Set
③	Cover	1
④	Oil Seal	2
⑤	Collar	2
⑥	Bearing Nut (with Set Piece)	1
⑦	Urethane Damper (Shore A70)	1

Do not disassemble the fixed side main body (①, ②, ③, ④ and ⑤), as they must remain assembled. \* 4 Mounting Holes  
⑦ is adhesive bonded to the housing.



Part Number	No.	d	L	L1	L2	L3	B	H	h	B1	H1	P	d1	d2	l	M (Fine)	Oil Seal Applicable Shaft Dia.	Damper Dimension				Bearing Type	Retaining Ring	Unit Price 1 ~ 10 pc (s).	
																		a	b	c	r				
BSWD	1022	10	24	6	29.5	6	70	40	22	36	32	52	9	14	11	M10x1.0	14	34	10	6	12	10	B608ZZ	STWN8	
	10S																								
	10																								
	1223																								
	12																								
	1526	12	6	38	5	80	48	28	41	38	60	11	17	15	M12x1.0	15	46	12	7	15.5	10	B6000ZZ	STWN10		
	12																								
	1223																								
	12																								
	1528																								
	15	15	25	6	5	80	48	28	41	38	60	11	17	15	M15x1.0	20	46	12	7	15.5	10	B6002ZZ	STWN15		
	15																								
	1528																								
	15																								
	20																								20
20																									
25																									
25																									
25																									
25	25	48	13	59	14	105	68	35	66	25	85	60	11	-	M25x1.5	31	60	19	10	25	10	B6205ZZ	STWN25		
25																									
25																									
25																									
25																									

Take care in combining No.20 with Ball Screw BSSZ (K) 2510, BSSR (K) 2510 or BSST2510. The ball screw nut may come in contact with the bottom surfaces.

MISUMI Original Standard Type with Dowel Holes achieves better repeatability and accurate positioning than conventional products.

## Fixed Side Standard with Dowel Holes

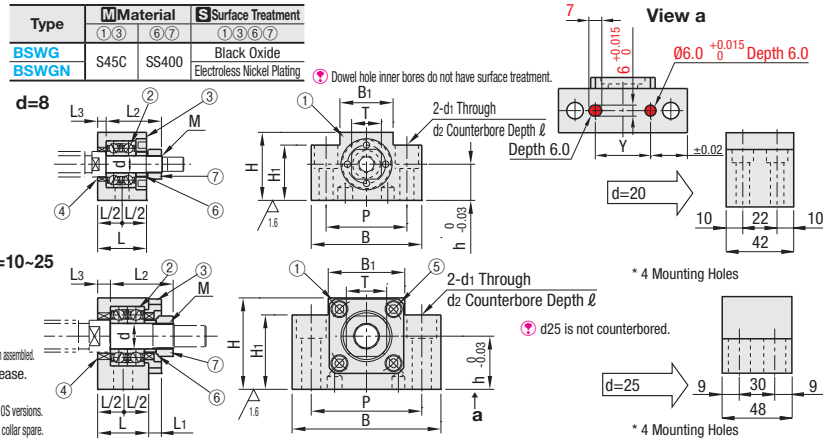
(Industry Standard, for High Speed Applications)

Type	Material	Surface Treatment
BSWG	S45C	1③⑥⑦ Black Oxide
BSWGN	SS400	Electroless Nickel Plating

## Component Details

Number	Part Name	Quantity
①	Bearing Housing	1
②	Japanese standard angular contact bearing Grade 5	1 Set
③	Cover	1
④	Oil Seal	2
⑤	Hex Socket Head Cap Screw*	4
⑥	Collar	2
⑦	Bearing Nut (with Set Piece)	1

d=8 comes with one Oil Seal (④)  
Do not disassemble the fixed side main body (①, ②, ③, ④ and ⑤), as they must remain assembled.  
BSWGR bearing is filled with low dust generation grease.  
⑤ screws of BSWG · BSWG are stainless steel.  
For No.8S and 10S, the I.D. of oil seal is smaller than the previous No.8S and No.10S versions.  
When used together with a MISUMI ball screw, there is one support unit accessory collar spare.



Part Number	No.	d	L	L1	L2	L3	B	H	h	B1	H1	P	Y	d1	d2	l	M (Fine)	T	Oil Seal Applicable Shaft Dia.	BSWG Unit Price 1 ~ 10 pc (s).	BSWGN Unit Price 1 ~ 10 pc (s).	
																						8S
BSWG BSWG	1022	10	24	6	29.5	6	70	40	22	36	32	52	30	9	14	11	M10x1.0	17	14			
																						10S
																						10
																						1223
																						12
	1526	12	6	38	5	80	48	28	41	38	60	36	11	17	15	M12x1.0	19	15				
	12																					
	1223																					
	12																					
	1528																					
	15	15	25	6	5	80	48	28	41	38	60	36	11	17	15	M15x1.0	22	20				
	15																					
	1528																					
	15																					
	20																				20	42
20																						
25																						
25																						
25																						
25	25	48	13	59	14	105	68	35	66	25	85	60	11	-	-	M25x1.5	35	31				
25																						
25																						
25																						
25																						

Take care in combining No.20 with Ball Screw BSSZ(K)2510, BSSR(K)2510 or BSST2510. The ball screw nut may come in contact with the bottom surfaces.

Ordering Example

Part Number	BSWG15
	BSWD15

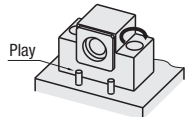
## Features of Support Units with Dowel Holes

There is a method of pressing against vertical dowel pins for locating support units. However, care is required when tightening the mounting screws so as not to cause clearances between the pins and the support unit.

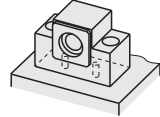
Using the Support Units with Dowel Holes reduces the assembling time as troublesome adjustments for the clearance will not be needed any more.

Method of Pressing against Vertically Placed Dowel Pins

Using the Support Units with Dowel Holes



When tightening the mounting screws, clearance between the pins and the wall may be created. If this clearance exists, readjustment is required.



As the dowel holes are provided with the Support Units, locating is easy.

# Support Units - Support Side, Square <Convenient>

Type with Damper / Type with Retaining Ring

## Support Side with Damper

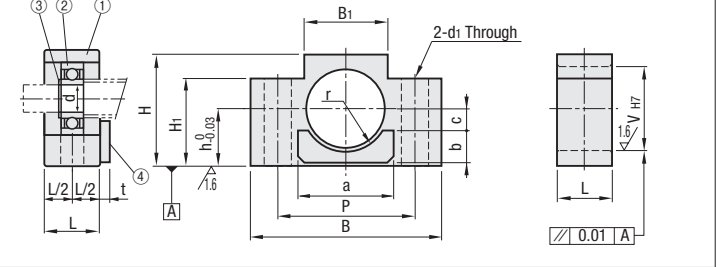
Type	Material	Surface Treatment
BUND	S45C	Black Oxide

## Component Details

Number	Part Name	Quantity
①	Housing	1
②	Japanese made radial bearing	1
③	Retaining Ring	1
④	Urethane Damper (Shore A70)	1

④ is adhesive bonded to the housing.

Type	Material	Surface Treatment
BUND	S45C	Black Oxide



Part Number	Type	No.	d	L	B	H	h	B1	H1	P	V	d1	Damper Dimension				Bearing Type	Retaining Ring	Unit Price 1 ~ 10 pc (s).			
													a	b	c	r						
BUND	1022	10	8	20	70	40	22	36	21	52	22	9	34	10	6	12	10	B608ZZ	STWN8			
																					1223	
																					12	
																					1526	
																					1528	
	15	15	25	6	38	5	80	48	28	41	23	60	32	50	15	10	18	10	B6002ZZ	STWN15		
	15																					
	20																					
	20																					
	25																					
	25	25	30	105	68	35	66	25	85	52	56	30	75	47	80	19	15	28	10	B6204ZZ	STWN20	
	25																					
	25																					
	25																					
	25																					

## Support Side Retaining Ring

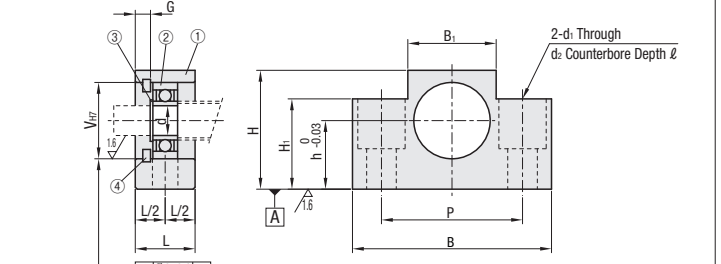
Type	Material	Surface Treatment
BTN	S45C	Black Oxide
BTNM	S45C	Electroless Nickel Plating

## Component Details

Number	Part Name	Quantity
①	Housing	1
②	Japanese made radial bearing	1
③	Retaining Ring (STWN, S)	1
④	Retaining Ring (RTWN, S)	1

BUNR bearing is Stainless Steel Type filled with low dust generation grease.  
\*BUNR/BUNM retaining rings (③ and ④) are Stainless Steel Type.

Type	Material	Surface Treatment
BTN	S45C	Black Oxide
BTNM	S45C	Electroless Nickel Plating



Part Number	Type	No.	d	L	B	H	h	B1	H1	P	V	d1	d2	l	G	Retaining Ring	Bearing Type	Retaining Ring	BTN Unit Price 1 ~ 10 pc (s).	BTNM Unit Price 1 ~ 10 pc (s).
8	8	15	52	32	17	25	26	38	17	6.6	11	11	3	RTWN, S22	B608ZZ	STWN, S8				
10	10	20	70	43	25	36	24	52	22	26	9	9	3	RTWN, S26	B6002ZZ	STWN, S10				
15	15	80	50	30	41	25	60	32	26	11	11	11	4	RTWN, S32	B6002ZZ	STWN, S15				
20	20	26	95	58	56	30	75	47	11	11	11	11	4.5	RTWN, S47	B6204ZZ	STWN, S20				
25	25	30	105	68	35	66	25	85	52	11	11	11	4.5	RTWN, S52	B6205ZZ	STWN, S25				

Take care in combining No.20 with Ball Screw BSSZ(K)2510, BSSR(K)2510 or BSST2510. The ball screw nut may come in contact with the bottom surfaces.



Ordering Example

Part Number	BUND15
	BTN15

- For details of Bearings in addition to mounting interface accuracies of Support Units, Included Collar and Bearing Nut, see P.759
- Low Temperature Black Chrome Plating products are filled with low dust generation grease for cleanrooms.
- Store Accessories with care since they are required when assembling.