

Miniature Linear Guides

Wide Standard Blocks, Light Preload / Slight Clearance

Features: Wide Block Type of MISUMI original specifications. Larger screw size has enhanced fastening strength compared to standard products.

MISUMI Original

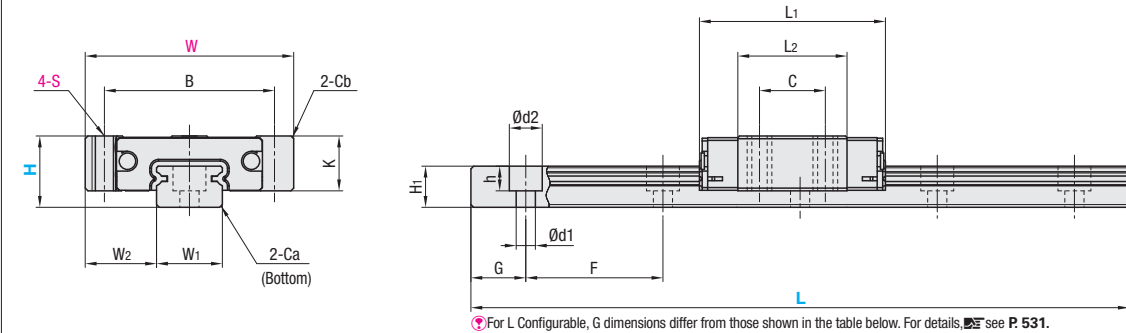


RoHS 10

Blocks and rails are not sold as separate items. This Type has guaranteed radial clearances and accuracies as sets of blocks and rails.

Material Hardness	Type		L Dimension	Number of Blocks
	Light Preload	Slight Clearance		
Stainless Steel 56HRC~	SSEBM	SSEBMZ	Selectable	1
	SSE2BM	SSE2BMZ		
	SSEBML	SSEBMLZ	Configurable	1
	SSE2BML	SSE2BMLZ		

Heat Resistant Temperature: -20 ~ 80°C



For L Configurable, G dimensions differ from those shown in the table below. For details, see P.531.

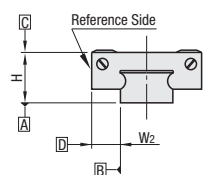
- Precautions for Use**
 - Blocks are equipped with retainers (wire) to prevent balls from falling off. For how to handle the blocks, see P.525.
 - Radial clearances and accuracies are not guaranteed if the blocks and rails are interchanged from the original set combinations.
 - Straight grooves are provided on datum planes. Be sure to match the datum lines when using.
 - Rails cannot be connected end to end.
 - The accuracy of Linear Guides is guaranteed after mounting the rail (after fastening screws on the rail and pushing it onto the datum plane).
 - Minor bending of the rail will be adjusted after being mounted and will not affect the performance.
- Accessory**
 - H8 comes with cap screws (M2x6).
- Others**
 - Filled with Lithium soap based grease (Mullemp Grease PS2 by Kyodo Yushi Co., Ltd.).
 - For operating life calculation, see P.527.
 - For operating life calculations, use our free calculation software from http://download.misumi.jp/mol/fa_soft.html.

Part Number	Type	H	L	Block Dimension							Guide Rail Dimension							
				W	L1	B	C	S	L2	K	Cb	W1	W2	H1	Ca	Counterbored Hole d1xd2xh	F	G
SSEBM SSE2BM SSEBML SSE2BML	SSEBMZ SSE2BMZ SSEBMLZ SSE2BMLZ	8	40~130 (70)	24	23.6	19	8	M3	13.6	6.5	0.3	7	8.5	4.7	0.3	2.4x4.2x2.3	15	5
		10	35~275 (95)	31	30	24	10	M4	19	7.8	0.3	9	11	5.5	0.3	3.5x6x3.5	20	7.5
		13	45~470 (120)	38	33.9	31	12	M4	19.9	10	0.5	12	13	7.5	0.5	3.5x6x4.5	25	10
		16	70~670 (150)	44	42.4	36	16	M4	27.4	12	0.5	15	14.5	9.5	0.5	3.5x6x4.5	40	15
		20	100~700 (160)	54	50	46	25	M5	34.6	15	0.5	20	17	11	0.5	6x9.5x5.5	60	20

Dimensions in () are for 2-Block Type.

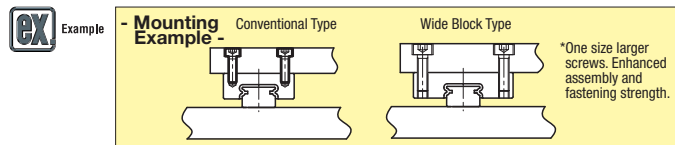
H	Basic Load Rating		Allowable Static Moment			Mass	
	C (Dynamic) kN	Co (Static) kN	MA N·m	Mb N·m	Mc N·m	Block kg	Guide Rail kg/m
8	0.9	1.5	4.1	4.1	5.2	0.015	0.19
10	1.5	2.5	5.1	5.1	10.2	0.03	0.31
13	2.2	3.3	8.8	9.5	16.1	0.05	0.61
16	3.6	5.4	21.6	23.4	39.6	0.09	1.02
20	5.2	8.5	48.4	48.4	86.4	0.17	1.65

Preload and Accuracy Standards



Specifications	Light Preload, High Grade	Slight Clearance, Standard Grade
Radial Clearance	-3~0	0~+15
Height H Tolerance	±20	±20
Pair Variation of Height H	15	40
Width W2 Tolerance	±25	±25
Pair Variation of Width W2	20	40
Running Parallelism of Plane C against Plane A	See P.525	
Running Parallelism of Plane D against Plane A	See P.525	

Slight Clearance Type has clearance (Gap) between rails and blocks. If precision / rigidity is required, select Light Preload Type.



H	L	Unit Price				
		High Grade		Standard Grade		
		SSEBM	SSE2BM	SSEBMZ	SSE2BMZ	
8	40					
	55					
	70					
	85					
	100					
	115					
	130					
10	35					
	55					
	75					
	95					
	115					
	135					
	155					
13	175					
	195					
	215					
	235					
	255					
	275					
	45					
	70					
	95					
	120					
	145					
	170					
	195					
16	220					
	245					
	270					
	295					
	320					
	345					
	370					
	395					
	420					
	445					
	470					
	70					
	110					
150						
190						
230						
270						
310						
350						
390						
430						
470						
510						
550						
590						
630						
670						
100						
160						
220						
280						
340						
400						
460						
520						
580						
640						
700						

L Dimension Configurable Type (1mm Increment)

H	Unit Price			
	High Grade		Standard Grade	
	SSEBML	SSE2BML	SSEBMLZ	SSE2BMLZ
8				
10				
13				
16				
20				

For calculation of L Dimension Configurable Type (1mm Increment), add the above amount to the unit price of the Selectable Type longer than, and closest to this L Dimension Configurable Type.



Part Number - L
Example
 SSEBM10 - 275 (L Type Greased)
 SSEBM10L - 75 (L Type Greased)
 SSEBM10G - 75 (G Type Greased)
 Alternative grease types available.
 P.531



Part Number - L - (MC, RLC, LLC, B3, B4)
Example
 SSE2BM16 - 430 - MC

Alterations	Code	Spec.												
Tapped Hole	MC	Changes the rail mounting holes from counterbored holes to tapped holes. <table border="1"> <tr><td>H</td><td>MC</td></tr> <tr><td>8</td><td>M3</td></tr> <tr><td>10</td><td>M4</td></tr> <tr><td>13</td><td>M5</td></tr> <tr><td>16</td><td>M5</td></tr> <tr><td>20</td><td>M6</td></tr> </table>	H	MC	8	M3	10	M4	13	M5	16	M5	20	M6
H	MC													
8	M3													
10	M4													
13	M5													
16	M5													
20	M6													
Rail End Cut	Left End Cut LLC	Cuts rail ends. Ordering Code: LLC <table border="1"> <tr><td>H</td><td>L Cut</td><td>N</td></tr> <tr><td>10</td><td>2.5</td><td>5</td></tr> <tr><td>13</td><td>5</td><td>5</td></tr> <tr><td>16</td><td>10</td><td>5</td></tr> </table>	H	L Cut	N	10	2.5	5	13	5	5	16	10	5
H	L Cut	N												
10	2.5	5												
13	5	5												
16	10	5												
	Right End Cut RLC	Applicable to Selectable Type only. Overall length will be shorter by cutting. Not applicable to H8/20 Not applicable to L35 of H10 and L45 of H13.												
3-Block Specifications	B3	Add 2 blocks to 1-block product to ship as 3-block separate item. There are restrictions for the L dimension length. See "Selectable Shortest Rail Length" for details. Selection Example: SSEBM10-275-B3												
4-Block Specifications	B4	Add 3 blocks to 1-block product to ship as 4-block separate item. There are restrictions for the L dimension length. See "Selectable Shortest Rail Length" for details. Selection Example: SSEBML13-275-B4												

Additional Block Price (Same Price for High/Standard Grade) | Selectable Shortest Rail Length for B3/B4

H	B3: Price Adder	B4: Price Adder	H	B3 (3-block)	B4 (4-block)
8			8	100	130
10			10	115	155
13			13	145	195
16			16	230	270
20			20	220	280

Options for Linear Guide

Position Retaining Parts	Block / Rail Fixing Parts