

# Shaft Collar D Cut Standard / Compact (Space-Saving Design)

## Set Screw / Clamp / Split

■ **Features:** Mounting holes on a flat side enable easy installation of sensor brackets. A2017 (aluminum) is recommended for weight saving.

### Standard Set Screw



RoHS10

### Standard Clamp



RoHS10

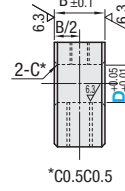
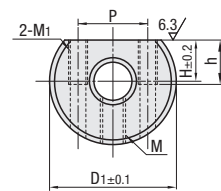
### Standard Split



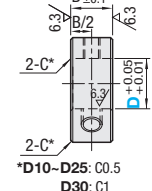
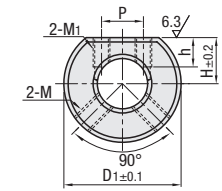
RoHS10

Type	Material	Surface Treatment	Accessory
<b>SDSN</b>	S45C	Black Oxide Coating	Hex Socket Head Cap Screw 2 pcs.
<b>PSDSN</b>	Equivalent	Electroless Nickel Plating	MSCM435 Equivalent
<b>SSDSN</b>	SUS304 Equivalent	-	MUSUS304 Equivalent

• D=6, 8



• D=10-30



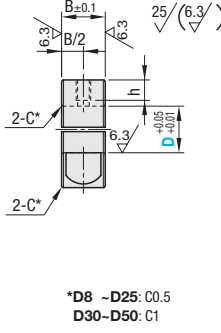
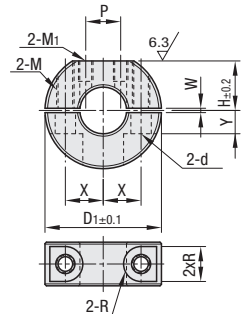
Type	Material	Surface Treatment	Accessory
<b>SDS</b>	S45C	Black Oxide Coating	Hex Socket Head Cap Screw 1 pc.
<b>PSDS</b>	Equivalent	Electroless Nickel Plating	MSCM435 Equivalent
<b>SSCD</b>	SUS304 Equivalent	-	MUSUS304 Equivalent
<b>SDSA</b>	2000Series Aluminum Alloy	-	-

• S45C Equivalent, SUS304 • A2017

D	Z	D	Z
8	8	10	10
10	10	12	10
12	10	15	12
13	10	16	12
15	12	20	13
		25	16
		30	18

☞ Clamping is applicable to D8-15 only.

Type	Material	Surface Treatment	Accessory
<b>SDN</b>	S45C	Black Oxide Coating	Hex Socket Head Cap Screw 2 pcs.
<b>PSDN</b>	Equivalent	Electroless Nickel Plating	MSCM435 Equivalent
<b>SSCDN</b>	SUS304 Equivalent	-	MUSUS304 Equivalent
<b>SDNA</b>	2000Series Aluminum Alloy	-	-



Part Number Type	D	D1	B	H	M1	P	h	Set Screw M x Length	Unit Price		
									SDSN	PSDSN	SSDSN
(Set Screw) <b>SDSN</b> <b>PSDSN</b> <b>SSDSN</b>	6	20		6.5		11					
	8	22	8	7	M3	13					
	10	25		10		8	7	M4x4			
	12	28		11							
	15	30	10	12.5	M4	10	5	M5x6			
	20	35		15							
	25	42	12	18	M5	12	6	M6x6			
	30	45		20			5				

☞ M1 effective thread depth is 7mm (pilot hole through) for D6-12.

Part Number Type	D	D1	B	M (Coarse)	d	R	H	M1	P	h	W	X	Y	Unit Price			
														SDS	PSDS	SSCD	SDNA
(Clamp) <b>SDS</b> <b>PSDS</b> <b>SSCD</b> <b>SDSA</b>	*8	30					13	M3	8			10					
	*10			M5	5.5	4.5	15	M4	10	7		11.5	6				
	*12	35															
	*13																
	*15	40						17		12	1.5	13					
	*16								M5								
(Split) <b>SDN</b> <b>PSDN</b> <b>SSCDN</b> <b>SDNA</b>	18	45		M6	7	6	18.5		15	9		15	8				
	*20						21		20			18					
	*25	50					23.5		21	10		20	10				
	*30	55					26	M6	23			23	12				
	35	60					26		23			26	13				
	40	70	18	M8	9	7	30		30	12		26	13				
50	85	22	M10	11	9	37	M8	28	13	3.0	32	16					

☞ M1 effective thread depth is 7mm (pilot hole through) for D8-15 of SS400 (S45C equivalent). For others, tapped holes are through.

☞ M1 effective thread depth is 7mm (pilot hole through) for D8-12 and D15-18 of SUS304. For others, tapped holes are through.

☞ The halves must remain in the same orientation as shipped when in use.

■ **Features:** Smaller by up to 46% in width (B dim.) and 22% in O.D. (D1 dim.) than D Cut Standard Type (P289)

### Compact Clamp



RoHS10

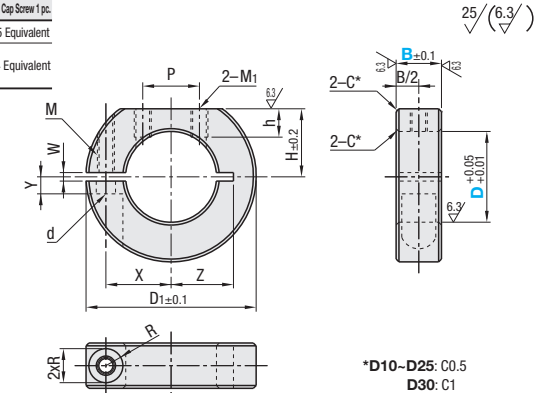
### Compact Split



RoHS10

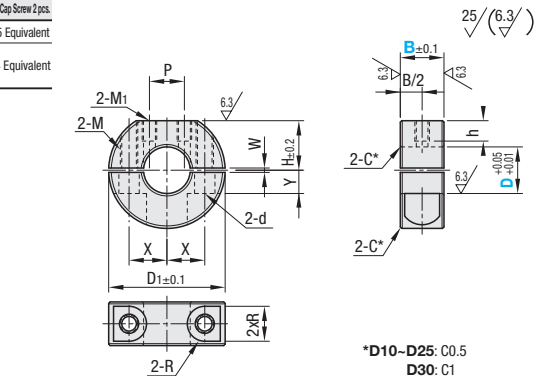
Type	Material	Surface Treatment	Accessory
<b>SDSJ</b>	S45C	Black Oxide Coating	Hex Socket Head Cap Screw 1 pc.
<b>PSDSJ</b>	Equivalent	Electroless Nickel Plating	MSCM435 Equivalent
<b>SSCDSJ</b>	SUS304	-	MUSUS304 Equivalent

☞ Refer to Size Comparison Table below.



Type	Material	Surface Treatment	Accessory
<b>SDNJ</b>	S45C	Black Oxide Coating	Hex Socket Head Cap Screw 2 pcs.
<b>PSDNJ</b>	Equivalent	Electroless Nickel Plating	MSCM435 Equivalent
<b>SSCDNJ</b>	SUS304	-	MUSUS304 Equivalent

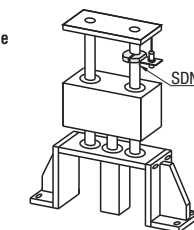
☞ Refer to Size Comparison Table below.



Part Number Type	D	B Selection	D1	M (Coarse)	d	R	W	X	Y	Z	M1	H	h	P	Unit Price						
															Clamp Type	Split					
															<b>SDSJ</b>	<b>PSDSJ</b>	<b>SSCDSJ</b>	<b>SDNJ</b>	<b>PSDNJ</b>	<b>SSCDNJ</b>	
(Clamp) <b>SDSJ</b> <b>PSDSJ</b> <b>SSCDSJ</b>	10							9	5	8-10				8							
	12		30	M3	3.4	3		10		9-10		12	5								
	15	8						11	3	11	M3										
	16						1.5	11.5					4.8	10							
(Split) <b>SDNJ</b> <b>PSDNJ</b> <b>SSCDNJ</b>	20		35					13	5	13		15	5								
	25	10	42	M4	4.5	3.75		16.5		16.5	M4	18.5	6	12							
	30	12	50	M5	5.5	4.5		20	6	20		22									

☞ The halves must remain in the same orientation as shipped when in use.

Ordering Example: Part Number - B  
**SDNJ10** - 8  
**SDSJ16** - 8  
**SDS10** - 8



D	Size Differences		Compact		Standard (P251)	
	B (Thickness)	D1 (O.D.)	B (Thickness)	D1 (O.D.)	B (Thickness)	D1 (O.D.)
10	-7	-5	8	30	15	35
12	-7	-5	8	30	15	35
15	-7	-10	8	30	15	40
16	-7	-10	8	30	15	40
20	-7	-10	8	35	15	45
25	-5	-8	10	42	15	50
30	-3	-5	12	50	15	55