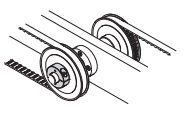
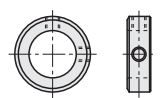
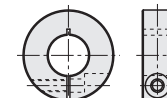

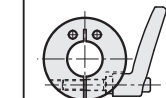
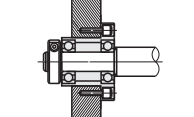
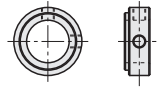
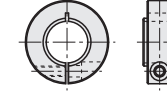
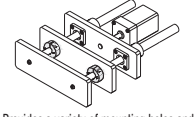
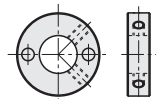
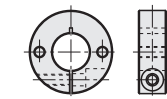

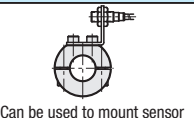
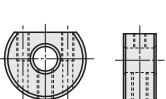

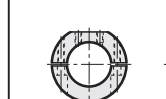
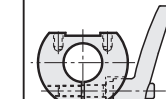
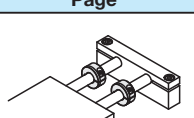
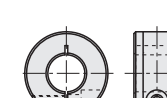
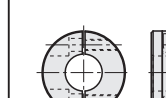


# Shaft Collar - Overview

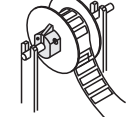
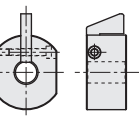
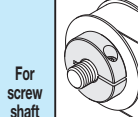
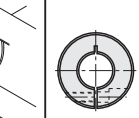

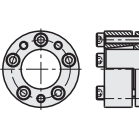
## Product Variations

- Features** • MISUMI offers a wide variety products by combining any of the 5 applications and 4 fastening methods.  
**[Application]:** General Purpose, Bearing Mounting, Mounting other parts (general purpose), Mounting other parts (sensor brackets), Damper  
**[Fastening Method]:** Set Screw, Clamp, Split, Lever

## Product Variation List

Applications	Fastening Method	Set Screw (Set Screw x 2 pcs.)	Clamp (Hex Socket Head Cap Screw x 1 pc.)	Split (Hex Socket Head Cap Screw x 2 pcs.)	Lever
<b>General Purpose</b>  • Can be used as the stopper, locating component or pulley retainer.					
	Page	P.267, P.268	P.269, P.270	P.271, P.272	P.286, P.287, P.288
<b>For Bearing Mounting</b>  • Usable as the bearing inner ring retainer.					
	Page	P.275, P.276	P.277, P.278		
<b>For mounting other parts (General Purpose)</b>  • Provides a variety of mounting holes and thus, allows mounting of plates, etc. (Hole Type: Through Hole, Tapped Hole, Counterbore Hole)					
	Page	P.279	P.280, P.281, P.282, P.291, P.292	P.283, P.291, P.292	
<b>For mounting other parts (Sensor Brackets)</b>  • Can be used to mount sensor brackets. • Has a mounting hole drilled in conformance with the hole pitch of sensor brackets.					
	Page	P.289	P.289, P.290, P.254	P.289, P.290	P.286, P.287, P.288
<b>Damper</b>  • Reduces noises generated by metal-to-metal contact.					
	Page		P.273, P.293	P.273, P.293	

## Product Variation List (Others)

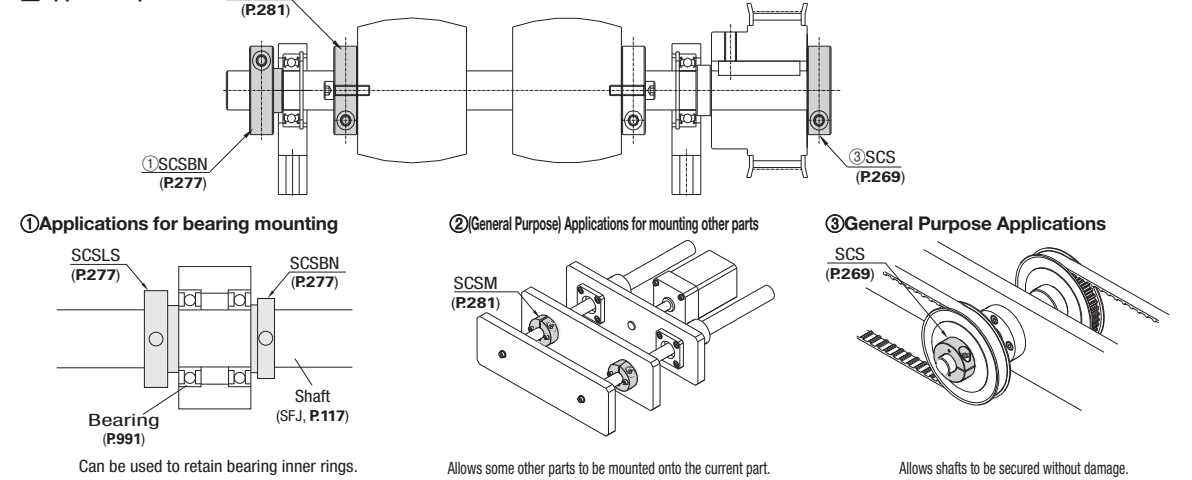
<b>One-Touch Mount</b>  • Can be mounted or removed easily and quickly.					
	Page	P.294			
<b>For screw shaft retention</b>  • Can be used to retain the ends of a screw shaft.					
	Page	P.295			
<b>Surface Pressure</b> 					
	Page	Listed on the web			

## Variation List for I.D. / Material / Surface Treatment

- A variety of I.D. configurations is available within the range of Ø3-100.  
 • Combination use of MISUMI Shaft Collars with O.D. Tolerance g6/h5/f8 Shafts, O.D. Tolerance g6/h7 Rotary Shafts, Circular Posts and Device Stands are recommended.

Applications	Fastening Method	Listed page	I.D.																											
			3	4	5	6	8	10	12	13	14	15	16	17	18	20	22	24	25	27	30	35	40	50	60	80	100			
General Purpose	Set Screw	P.267~	●	●	●	●	●	●	●	●	●	●	●	●	●	●	●	●	●	●	●	●	●	●	●	●	●	●		
	Clamp	P.269~																												
	Split	P.271~																												
	Lever	P.286~																												
For Bearing Mounting	Set Screw	P.275~	●	●	●	●	●	●	●	●	●	●	●	●	●	●	●	●	●	●	●	●	●	●	●	●	●	●		
	Clamp	P.277~																												
For mounting other parts (General Purpose)	Set Screw	P.279~	●	●	●	●	●	●	●	●	●	●	●	●	●	●	●	●	●	●	●	●	●	●	●	●	●	●		
	Clamp	P.280~																												
	Split	P.283~																												
For mounting other parts (Sensor Brackets)	Set Screw	P.289~																												
	Clamp	P.289~																												
	Split	P.289~																												
	Lever	P.286~																												
Damper	Clamp	P.273~																												
	Split	P.273~																												
Others	Threaded Bore	-	●	●	●	●	●	●	●	●	●	●	●	●	●	●	●	●	●	●	●	●	●	●	●	●	●	●		
	One-Touch Fixed Type	Clamp	P.294~																											

## App. Example



## Tightening Torque of Clamp Type Shaft Collars

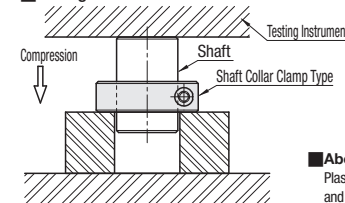
**Definition of Max. Thrust Load**  
 The shaft collar is tightened to torque value shown in the chart below, then compressive load is applied with the tester. The compressive load where the shaft begins to move is defined as the Max. Thrust Load.

Nominal	Tightening Torque (N·m)		
	S45C Equivalent	SUS304 Equivalent	A2017
M2.6	0.94	-	-
M3	1.61	1.61	-
M4	3.71	3.71	-
M5	7.54	7.54	-
M6	12.87	7.54	-
M8	31.2	12.87	-
M10	61.75	12.87	-
M16	267	-	-

## Testing Conditions

- Shaft: MISUMI Hardened Shaft (SF) P.117
- Testing Instrument: Universal Tester
- Tightening Torque: Select Tightening Torque from the tables on the above depending on the conditions of use.
- Condition of Ambient Oil: Wiped with a cloth as armed.

## Testing Method



## Clamp Type

Dimensions					Max. Thrust Load (kN)			Weight (g)		
D (I.D.)	B (Width)	M	SCS, SCSJ (S45C Equivalent)	SSCS (SUS304 Equivalent)	SCS, SCSJ (S45C Equivalent)	SSCS (SUS304 Equivalent)	SCS, SCSJ (S45C Equivalent)	SSCS (SUS304 Equivalent)	SCS, SCSJ (S45C Equivalent)	SSCS (SUS304 Equivalent)
6	*6	2.6	0.7	0.4	10					
	8	3	1.1	0.5	17					
	10	4	1.8	1	21					
8	*6	2.6	0.9	0.3	14					
	8	3	0.6	0.6	26					
	10	4	2.2	1.1	32					
10	*6	2.6	0.7	0.3	17					
	8	3	1.2	0.4	36					
	10	4	2	1	45					
12	12	5	5.1	0.9	55					
	*6	2.6	0.7	0.3	16					
	8	3	1.1	0.8	34					
15	10	4	2.8	0.8	43					
	12	5	4	1.2	52					
	*8	3	1.5	0.6	31					
20	10	4	1.5	1.1	54					
	12	5	5.1	1.8	69					
	15	6	5.6	1.4	119					
16	*8	3	2.1	1.1	29					
	10	5	7.1	2.9	55					
	12	5	5.4	2.3	67					
20	15	6	10.2	1.5	116					
	*8	3	2.2	0.8	38					
	10	5	5.8	2.7	69					
25	12	5	6.4	1.7	84					
	15	6	10.4	3	140					
	*10	4	3.6	1.8	66					
30	12	5	8.8	2.6	98					
	15	6	8.8	3.6	164					
	*12	5	8.4	2.8	111					
35	15	6	8.9	2.2	185					
	20	8	15	4	318					
	*15	6	9.9	2.7	207					
40	18	8	21.3	6	348					
	20	8	15	4	318					
	*18	8	21.3	6	348					
50	22	10	35.8	11.8	604					
	25	10	35.8	11.8	604					
	*22	10	35.8	11.8	604					

- Note 1. \* marked dimensions are for Compact Type only. (SCSJ, SSCSJ)  
 2. These values are merely test results, and not guaranteed by the manufacturer.  
 3. Use optimum tightening torques depending on the condition of use by users.

## About Screw Tightening

Plastic threads may be damaged by repetitive tightening and loosening of the screw.