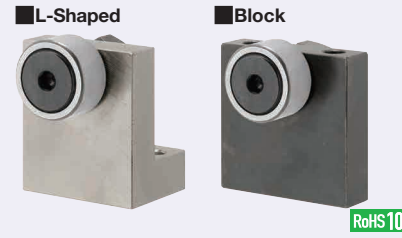


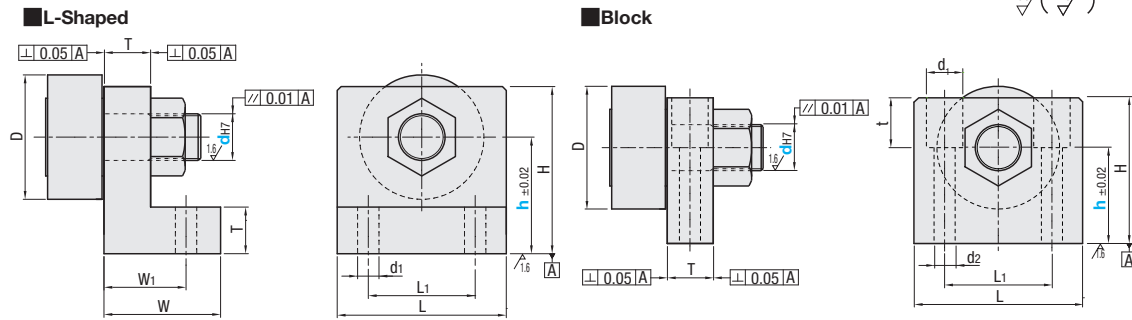
Cam Followers with Brackets

L-Shaped, Block

■ **Features:** Low-priced all-in-one unit. Cumbersome ordering steps are eliminated and prices are economical.



Type		Bracket		Cam Follower Shape		Included Cam Follower	
L-Shaped	Block	Material	Surface Treatment	Shape	Material	d5-10	d12
CMFLBF	CMFBF	S45C	Black Oxide	Flat	SUJ2	CFFA	CFFH
CMFLF	CMFF		Electroless Nickel Plating			CFFA	CFFH
CMFLSF	CMFSF	SUS304	-	Crowned	SUJ2	CFFAS	CFFSH
CMFLBU	CMFBU	S45C	Black Oxide			CFUA	CFUH
CMFLU	CMFU		Electroless Nickel Plating			CFUA	CFUH
CMFLSU	CMFSU	SUS304	-			CFUAS	CFUSH



For Brackets and Cam Followers alone, see P.1054 and P.1043 respectively.

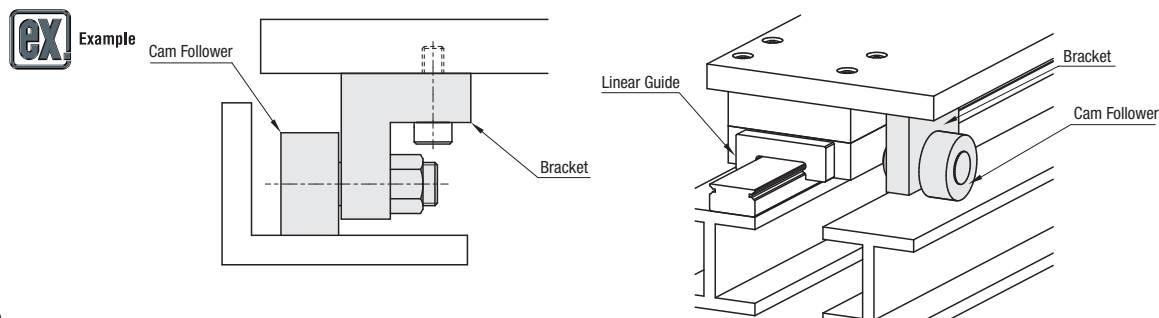
■ **L-Shaped**

Part Number	Type	d	Height h 1mm Increment	D	H	T	L ₁	L	W	W ₁	d ₁	Unit Price					
												CMFLBF	CMFLF	CMFLSF	CMFLBU	CMFLU	CMFLSU
CMFLBF	5	17~28	13	h+4.5	8	10	22	32	24	17	5.5						
CMFLF	6	17~32	16	h+6								19	29	22	15		
CMFLSF	8	20~38	19	h+7	12	26	42	28	20	20	6.5						
CMFLBU	10	25~52	26	h+10								29	42	28	20		
CMFLU	12	28~64	32	h+11	31	47	28	20									
CMFLSU																	

■ **Block**

Part Number	Type	d	Height h 1mm Increment	D	H	T	L ₁	L	d ₁	d ₂	t	Unit Price					
												CMFBF	CMFF	CMFSF	CMFBU	CMFU	CMFSU
CMFBF	6	12~25	16	h+6	10	24	38	9.5	5.5	6.5	6.5						
CMFF	8	15~30	19	h+7								26	42	11	6.5		
CMFSF	10	20~35	26	h+10	12	28	44	11	6.5	11	11						
CMFBU	12	20~40	32	h+11													
CMFU																	
CMFSU																	

Ordering Example
 Part Number - h
 CMFLF10 - 40
 CMFLU10 - 50

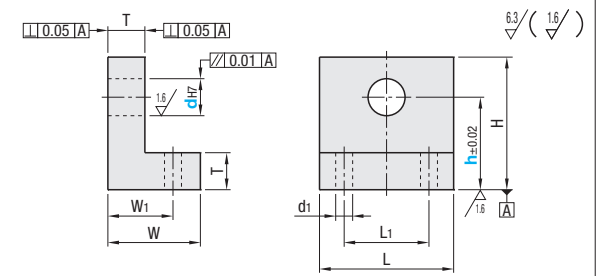


Brackets for Cam Followers

■ **Features:** Available for Cam Followers with plastic or urethane. dH7 is made to fit with Cam Follower's shaft diameter.

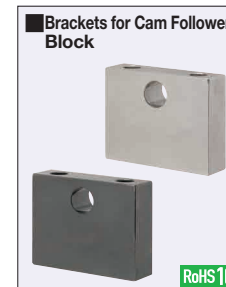


Type	Material	Surface Treatment
CMFLB	S45C	Black Oxide
CMFL		Electroless Nickel Plating
CMFLS	SUS304	-

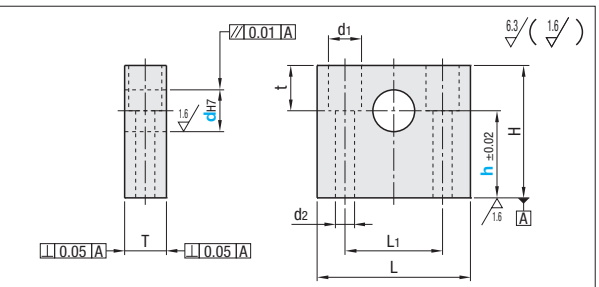


Part Number	Type	d	h 1mm Increment	H	T	L ₁	L	W	W ₁	d ₁	Unit Price		
											CMFLB	CMFL	CMFLS
CMFLB	5	17~28	h+4.5	8	10	22	32	24	17	5.5			
CMFL	6	17~32	h+6								19	29	22
CMFLS	8	20~38	h+7	12	26	42	28	20	20	6.5			
	10	25~52	h+10								29	42	28
	12	28~64	h+11	31	47	28	20						

Ordering Example
 Part Number - h
 CMFLB8 - 30

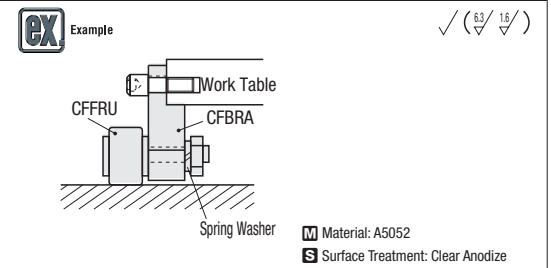
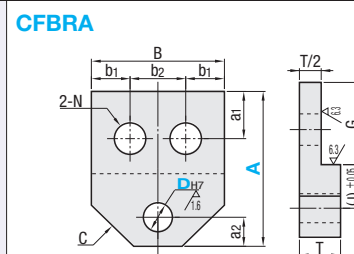


Type	Material	Surface Treatment
CMFB	S45C	Black Oxide
CMF		Electroless Nickel Plating
CMFS	SUS304	-



Part Number	Type	d	h 1mm Increment	H	T	L ₁	L	d ₁	d ₂	t	Unit Price		
											CMFB	CMF	CMFS
CMFB	6	12~25	h+6	10	24	38	9.5	5.5	6.5	6.5			
CMF	8	15~30	h+7								26	42	11
CMFS	10	20~35	h+10	12	28	44	11	6.5	11	11			
	12	20~40	h+11										

Ordering Example
 Part Number - h
 CMFB8 - 25



Part Number	Type	D _{H7}	A 1mm Increment	a ₁	a ₂	B	b ₁	b ₂	G	N	T	Mounting Screw Size	C	(J)	Unit Price
CFBRA	5	+0.012	27~50	8	4.5	24	6	12	15	6	7	M5	8		
	6	0	31~60	9	6	27	6.5	14	16	7	8	M6	8.5		
	8	+0.015	40~80	11.5	7.5	34	8.5	17	21	9.5	10	M8	12		
	10	0	49~100	14	8	44	11	22	26	11.5	12	M10	16		
	12	+0.018	58~120	17	12	48	12	24	32	13.5	12	M12	17		
	16	0	79~160	21	14.5	66	17	32	41	17.5	15	M16	25		

Ordering Example
 Part Number - A
 CFBRA5 - 37