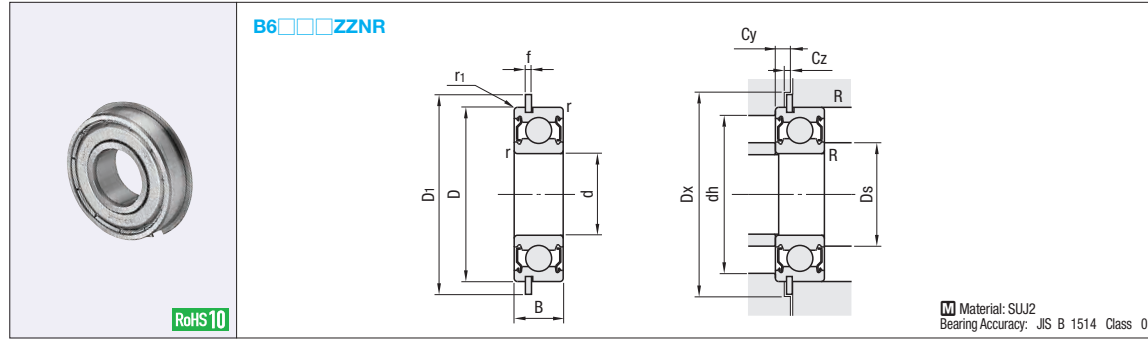


# Deep Groove Ball Bearings with Retaining Rings

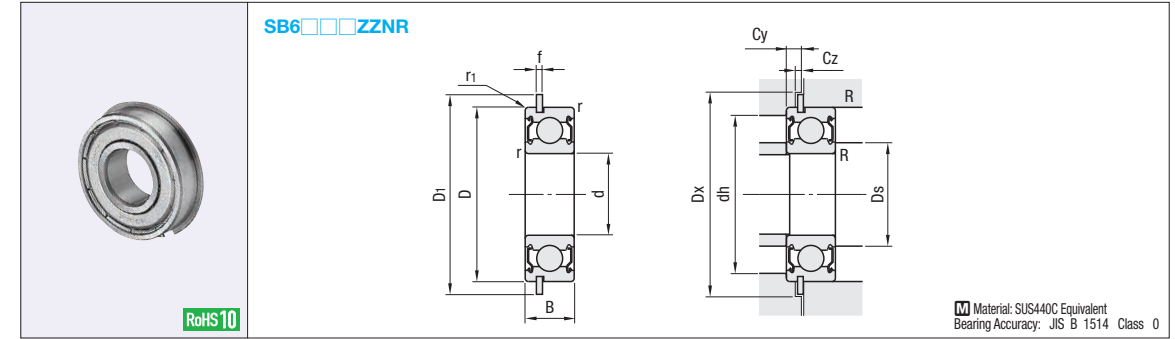
Double Shielded

# Stainless Steel Deep Groove Ball Bearings with Retaining Rings

Double Shielded



Material: SUJ2  
Bearing Accuracy: JIS B 1514 Class 0



Material: SUS440C Equivalent  
Bearing Accuracy: JIS B 1514 Class 0

For details on the tolerance and allowable values of inner and outer rings, see P2243

For details on the tolerance and allowable values of inner and outer rings, see P2243

Part Number	d	D	B	r (min)	r1 (min)	Basic Load Rating			Retaining Ring Dim.		Relative Dimensions							Mass (g) (Reference)	Unit Price							
						Cr (Dynamic) kN	Cor (Static) kN	rpm (Reference)	D1 (max)	f (max)	Ds (min)	Ds (max)	dh (max)	R (max)	Dx (min)	Cy (max)	Cz (min)									
B6900ZZNR	10	22	6	0.3	0.3	2.7	1.27	31000	24.8	0.7	12	13	20	0.3	25.5	1.5	0.7	10								
B6000ZZNR		26	8			4.55	1.96	28000	28.7	0.84	12	13.5	24		29.4	1.9	0.9	19								
B6200ZZNR		30	9			0.6	0.6	5.1	2.39	24000	34.7	1.12	16		26	0.6	35.5	2.9	1.2	32						
B6300ZZNR	35	11	0.6	0.5	8.1	3.45	22000	39.7	16.5	31	40.5		2.9	52												
B6901ZZNR	12	24	6	0.3	0.3	2.89	1.46	28000	26.8	0.7	14	15	22	0.3	27.5	1.5	0.7	11								
B6001ZZNR		28	8			5.1	2.37	24000	30.7	0.84		16	26		31.5	1.9	0.9	21								
B6201ZZNR	12	32	10	0.6	0.6	6.8	3.05	22000	36.7	1.12	16	17	28	0.6	37.5	2.9	1.2	37								
B6301ZZNR		37	12	1	0.5	9.7	4.2	20000	41.3	1.12	17	18	32	1	42	2.9		60								
B6902ZZNR	15	28	7	0.3	0.3	4.35	2.26	23000	30.8	0.85		17	19	20	31	0.6	40.5	2.9	1.2	45						
B6002ZZNR		32	9			5.6	2.83	21000	36.7	1.12	19									30	37.5		31			
B6202ZZNR		35	11			0.6	0.6	7.65	3.75	20000	39.7									1.12	19	20	31	0.6	40.5	2.9
B6302ZZNR	17	42	13	1	0.5	11.4	5.45	17000	46.3	1.12	20	22.5	37	1	47		83									
B6903ZZNR		30	7	0.3	0.3	4.6	2.55	21000	32.8	0.85	19	20	28	0.3	33.5	1.9	0.9	17								
B6003ZZNR		35	10			6	3.25	19000	39.7									21	33	40.5		41				
B6203ZZNR	40	12	0.6			0.6	9.55	4.8	17000	44.6								1.12	21	22	36	0.6	45.5	2.9	65	
B6303ZZNR	17	47	14	1	0.5	13.6	6.65	15000	52.7		22	25.5	42	1	53.5	3.3	113									
B6904ZZNR		37	9	0.3	0.3	6.4	3.7	18000	39.8	0.85								24	35	0.3	40.5	2.3	0.9	38		
B6004ZZNR		42	12	0.6	0.6	9.4	5	16000	46.3									24	25	38	0.6	47	2.9	1.2	67	
B6204ZZNR	20	47	14	1	1	12.8	6.6	14000	52.7	1.12	25	27	42	1	53.5	3.3	1.2	104								
B6304ZZNR		52	15	1.1	0.5	15.9	7.9	14000	57.9									26.5	28	45.5		58.5		145		
B6905ZZNR		42	9	0.3	0.3	7.05	4.55	15000	44.8	0.85								27	29	40	0.3	45.5	2.3	0.9	44	
B6005ZZNR	25	47	12	0.6	0.6	10.1	5.85	14000	52.7		29	30	43	0.6	53.5	2.9	1.2	80								
B6205ZZNR		52	15	1	1	14	7.85	13000	57.9	1.12								30	32	47		58.5	3.3	1.2	133	
B6305ZZNR		62	17	1.1	0.5	20.6	11.2	11000	67.7	1.7								31.5	36	55.5	1	68.5	4.6	1.7	235	
B6906ZZNR	30	47	9	0.3	0.3	7.25	5	14000	49.8	0.85	32	34	45	0.3	50.5	2.3	0.9	52								
B6006ZZNR		55	13	1	1	13.2	8.3	12000	60.7	1.12	35	37	50	1	61.5	2.9	1.2	116								
B6206ZZNR		62	16			19.5	11.3	11000	67.7	1.7								39	57	68.5	4.6	1.7	199			
B6306ZZNR	72	19	1.1			26.7	15	9500	78.6									36.5	42.5	65.5		80		345		
B6907ZZNR	35	55	10	0.6		10.6	7.25	12000	57.8	0.85	39	39	51	0.6	58.5	2.3	0.9	75								
B6007ZZNR		62	14	1		16	10.3	10000	67.7	1.7	40	41.5	57	1	68.5	3.4	1.7	151								
B6207ZZNR		72	17	1.1		25.7	15.3	9500	78.6		41.5	44.5	65.5		80	4.6	1.7	284								
B6908ZZNR	40	62	12	0.6		13.7	10	11000	64.8	0.85	44	46	58	0.6	65.5	2.3	0.9	112								
B6008ZZNR		68	15	1	0.5	16.8	11.5	9200	74.6		45	47.5	63		76	3.8		190								
B6208ZZNR		80	18	1.1		29.1	17.9	8500	86.6		46.5	50.5	73.5		88	4.6		366								
B6009ZZNR	45	75	16	1		20.9	15.2	9000	81.6	1.7	50	53.5	70	1	83	3.8	1.7	241								
B6209ZZNR		85	19	1.1		31.5	20.4	7500	91.6		51.5	55.5	78.5		93	4.6		420								
B6010ZZNR	50	80	16	1		21.8	16.6	8500	86.6		55	58.5	75		88	3.8		261								
B6210ZZNR		90	20	1.1		35	23.2	7100	96.5	2.46	56.5	60	83.5		98	5.4	2.5	459								

kgf=Nx0.101972

Part Number	d	D	B	r (min)	r1 (min)	Basic Load Rating			Retaining Ring Dim.		Relative Dimensions							Mass (g) (Reference)	Unit Price							
						Cr (Dynamic) kN	Cor (Static) kN	rpm (Reference)	D1 (max)	f (max)	Ds (min)	Ds (max)	dh (max)	R (max)	Dx (min)	Cy (max)	Cz (min)									
SB6900ZZNR	10	22	6	0.3	0.3	2.7	1.27	31000	24.8	0.7	12	13	20	0.3	25.5	1.5	0.7	10								
SB6000ZZNR		26	8			4.55	1.96	28000	28.7	0.84					12	13.5	24	29.4	1.9	0.9	19					
SB6200ZZNR		30	9			0.6	0.6	5.1	2.39	24000					34.7	1.12	16	26	0.6	35.5	2.9	1.2	32			
SB6901ZZNR	12	24	6	0.3	0.3	2.89	1.46	28000	26.8	0.7	14	15	22	0.3	27.5	1.5	0.7	11								
SB6001ZZNR		28	8			5.1	2.39	24000	30.7	0.84					16	26	31.5	1.9	0.9	21						
SB6201ZZNR	12	32	10	0.6	0.6	6.8	3.05	22000	36.7	1.12	16	17	28	0.6	37.5	2.9	1.2	37								
SB6902ZZNR		15	28	7	0.3	0.3	4.3	2.25	23000	30.8	0.85	17	18	26	0.3	31.5	1.9	0.9	16							
SB6002ZZNR	32		9	5.6			2.84	21000	36.7	1.12	19					30	37.5		31							
SB6202ZZNR	35		11	0.6			0.6	7.65	3.75	20000	39.7					1.12	19	20	31	0.6	40.5	2.9	1.2	45		
SB6903ZZNR	17	30	7	0.3	0.3	4.6	2.56	21000	32.8	0.85	19	20	28	0.3	33.5	1.9	0.9	17								
SB6003ZZNR		35	10			6	3.25	19000	39.7									21	33	40.5		41				
SB6203ZZNR		40	12			0.6	0.6	9.6	4.8	17000								44.6	1.12	21	22	36	0.6	45.5	2.9	1.2
SB6904ZZNR	20	37	9	0.3	0.3	6.4	3.7	18000	39.8	0.85	22	24	35	0.3	40.5	2.3	0.9	38								
SB6004ZZNR		42	12	0.6	0.6	9.4	5.05	16000	46.3									24	25	38	0.6	47	2.9	1.2	67	
SB6204ZZNR		47	14	1	1	12.8	6.65	14000	52.7	1.12								25	27	42	1	53.5	3.3	1.2	104	
SB6905ZZNR	25	42	9	0.3	0.3	7	4.55	15000	44.8	0.85	27	29	40	0.3	45.5	2.3	0.9	44								
SB6005ZZNR		47	12	0.6	0.6	10.1	5.85	14000	52.7	1.12								29	30	43	0.6	53.5	2.9		80	
SB6205ZZNR		52	15			14	7.9	13000	57.9	1.12								30	32	47		58.5	3.3	1.2	133	
SB6906ZZNR	30	55	13	1	1	13.2	8.3	12000	60.7		35	37	50	1	61.5	2.9	1.2	116								
SB6006ZZNR		62	16			19.5	11.3	11000	67.7	1.7								39	57	68.5	4.6	1.7	199			
SB6206ZZNR		72	19			1.1	26.7	15	9500	78.6									36.5	42.5	65.5		80		345	
SB6907ZZNR	35	55	10	0.6		10.6	7.25	12000	57.8	0.85	39	39	51	0.6	58.5	2.3	0.9	75								
SB6007ZZNR		62	14	1		16	10.3	10000	67.7	1.7	40	41.5	57	1	68.5	3.4	1.7	151								
SB6207ZZNR		72	17	1.1		25.7	15.3	9500	78.6		41.5	44.5	65.5		80	4.6	1.7	284								
SB6908ZZNR	40	62	12	0.6		13.7	10	11000	64.8	0.85	44	46	58	0.6	65.5	2.3	0.9	112								
SB6008ZZNR		68	15	1	0.5	16.8	11.5	9200	74.6		45	47.5	63		76	3.8		190								
SB6208ZZNR		80	18	1.1		29.1	17.9	8500	86.6		46.5	50.5	73.5		88	4.6		366								
SB6009ZZNR	45	75	16	1		20.9	15.2	9000	81.6	1.7	50	53.5	70	1	83	3.8	1.7	241								
SB6209ZZNR		85	19	1.1		31.5	20.4	7500	91.6		51.5	55.5	78.5		93	4.6		420								
SB6010ZZNR	50	80	16	1		21.8	16.6	8500	86.6		55	58.5	75		88	3.8		261								
SB6210ZZNR		90	20	1.1		35	23.2	7100	96.5	2.46	56.5	60	83.5		98	5.4	2.5	459								

kgf=Nx0.101972

Ordering Example Part Number B6900ZZNR

Ordering Example Part Number SB6200ZZNR